

SA6-L



6,631
Max Torque (Ft-Lbs)

23
Max Speed (RPM)

110
Product Weight (LBS)

2,500
Max Pressure (PSI)

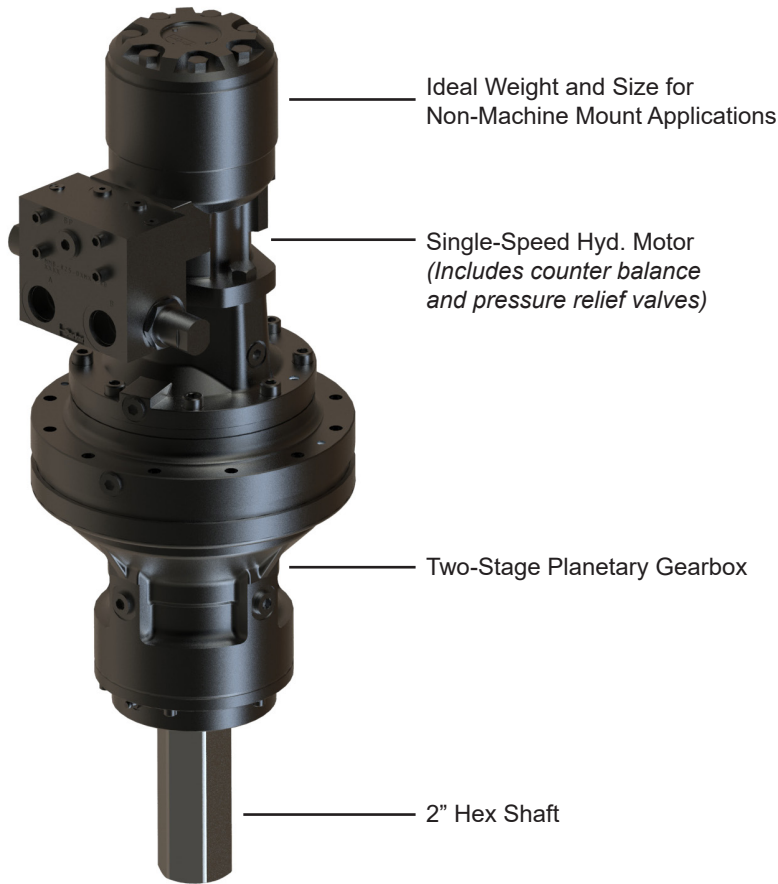
25
Max Flow (GPM)

-
Machine Size (Tons)

SPECIFICATIONS

Motor Type: Single-Speed
Valves: Single CBV & CPR
Motor Ports: -12 JIC
Gearbox: Two Stage Planetary
Shaft Pullout: 12,900 Lbs

Max Pressure: 2500 PSI (172 Bar)
Max Flow: 25 GPM (94 LPM)
Overall Height: 28" (711 mm)
Diameter: 9.5" (241 mm)
Connection Pin: None



IMPERIAL PERFORMANCE DATA

SA6L TORQUE CHART

Pressure PSI	Torque Ft-Lbs
1500	3,978
1700	4,509
1900	5,039
2100	5,570
2300	6,100
2500	6,631

SA6L SPEED CHART

Flow GPM	Speed RPM
10	9
15	14
20	18
25	23

METRIC PERFORMANCE DATA

SA6L TORQUE CHART

Pressure Bar	Torque Nm
103	5,394
117	6,113
131	6,833
144	7,552
158	8,271
172	8,990

SA6L SPEED CHART

Flow LPM	Speed RPM
37	9
56	14
75	18
94	23

RECOMMENDED PRIME MOVERS



SA6L is designed for portable power units only. Not intended for machine mount.

Maximum efficiencies have been applied to the torque and speed charts. **Values are NOT listed at 100% theoretical.** Speed and torque output are dependent on the overall system efficiencies associated with the prime movers hydraulic system. This document should be used for information and comparative purposes only.