



Spare parts catalogue

**Winch
A81-6**

DINAMIC OIL S.p.A.

Via Togliatti, 15
41030 Bomporto (MO)
tel +39.059.812611
fax +39.059.812603
dinamicoil@dinamicoil.it

Spare parts catalogue No.

L632

Logbook code

921100500H

Edition

02/02/2017

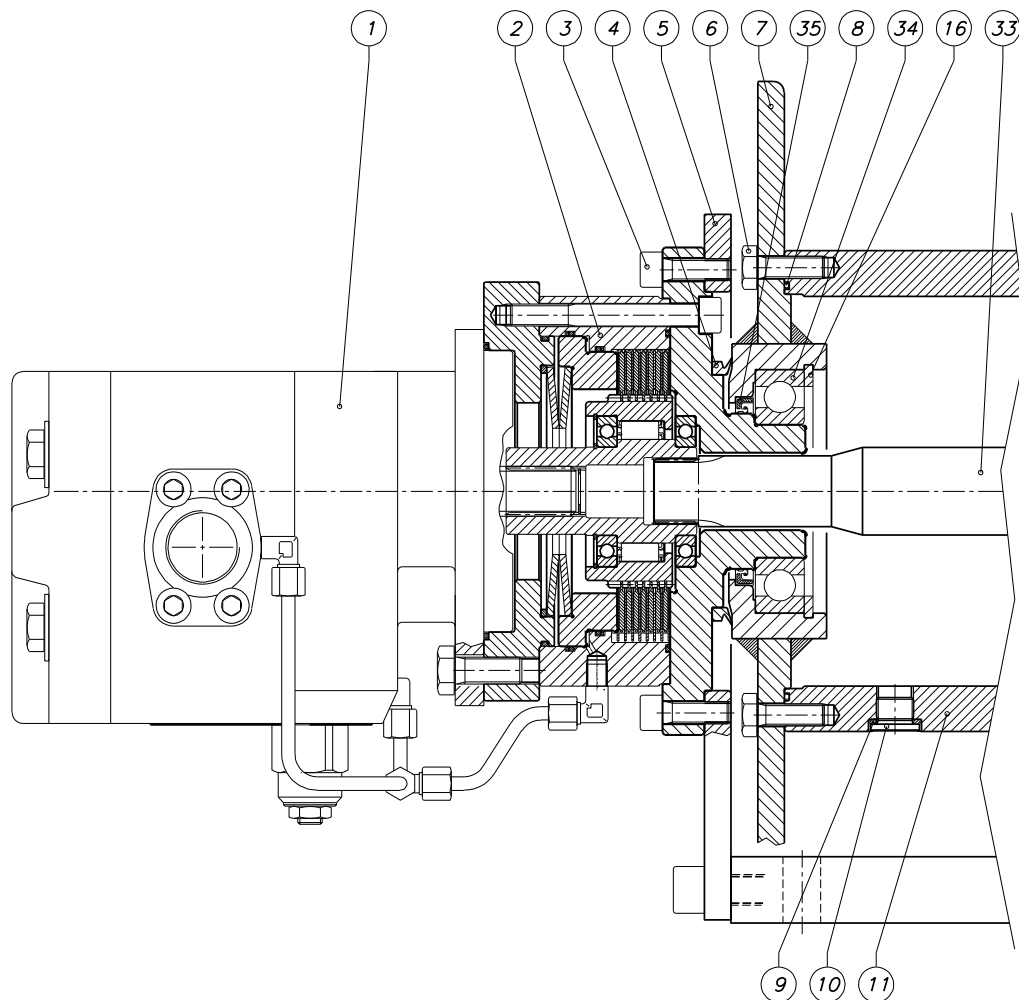
Revision

0

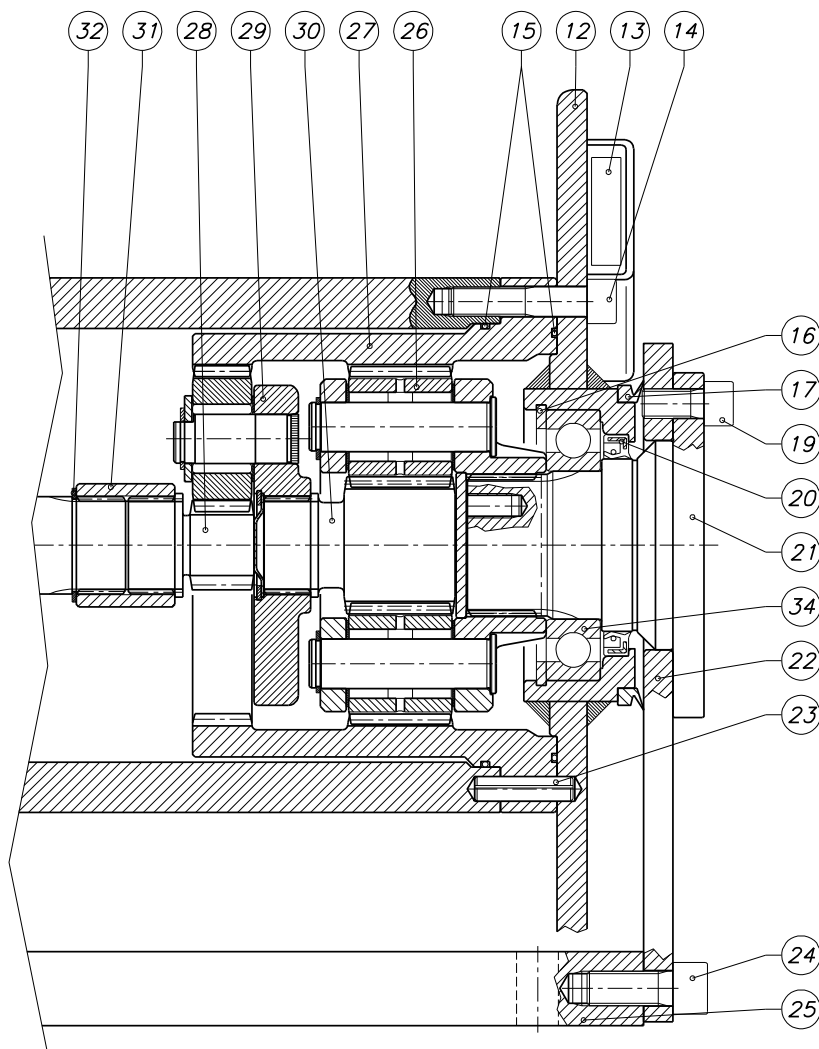


Table index	<i>Winch</i>	A81-6
	<i>Logbook code</i>	921100500H

Page	Table code	Table heading
3	921100500H-1	WINCH A81-6 SX L.Ø12,7
4	921100500H-2	WINCH A81-6 SX L.Ø12,7
5	921100500H-3	WINCH A81-6 SX L.Ø12,7
6	029810209	BRAKE GROUP A6-A8 SX (SHAFT SAE B)
7	029813108	FLEXIBLE DRAINAGE TUBE KIT A SERIES WINCHES
8	02981354-1	FITTINGS KIT FOR A A62-81-120-150
9	02981354-2	FITTINGS KIT FOR A A62-81-120-150



Pos	Code	Qty	Description
1	425090400	1	MOTOR PERMCO W5100A867ADNE25-14 6,42INC FLAN. SAE C - ALB. SAE B
2	029810209	1	BRAKE GROUP A6-A8 SX (SHAFT SAE B)
3	410401700	8	SCREW TCEI M10X30 12.9 UNI 5931
4	415016900	1	V-RING NBR VA 110
5	023410289	1	MOTOR SIDE SUPPORT WINCH A81
6	410031000	6	HEX SOCKET HEAD CAP SCREW M10X30 10.9 UNI 5739
7	029911210	1	MOTOR SIDE FLANGE WINCH A81
8	406014700	1	O-RING 2-168
9	423000600	1	SOFT COPPER WASHER 3/8" UNI 6953
10	419000700	1	PLUG TCEI 3/8" GAS DIN908
11	02301020	1	DRUM X WINCH A80
33	024410134	1	TRANSMISSION SHAFT
34	400001900	2	BALL BEARING 6212
35	415002200	1	OIL SEAL 70X85X8 BASL



Pos	Code	Qty	Description
12	029912246	1	GEAR FLANGE WINCH A81
13	02410204	1	WEDGE S20-SW27 Ø12-S45 Ø18
14	410020100	6	HEX SOCKET HEAD CAP SCREW M12X55 12.9 UNI 5931
15	406013000	2	O-RING 2-166
16	421102000	2	HOLE SEEGER Ø110
17	406060500	1	V-RING NBR VA 120
19	410407700	10	HEX SOCKET HEAD CAP SCREW M12X25 12.9
20	415004800	1	OIL SEAL 70X90X10 BASL
21	02371003	1	ANTIROTATION FLANGE S20-SE27
22	023410290	1	GEAR SIDE SUPPORT WINCH A81
23	434002400	2	ELASTIC PIN SPIROL Ø10X40 UNI6875
24	410400300	8	HEX SOCKET HEAD CAP SCREW M14X35 12.9 UNI 5931
25	02451095	2	LOWER RAIL X WINCH A80/NP36
26	99158600	1	GEAR SUBASSEMBLY R1:3,82 ARG.A80
27	02231033	1	DOUBLE RING GEAR X WINCH A80
28	02611019	1	SUN GEAR 2ST R=1:5.77 RE 210 / '98
29	99103800	1	GEAR SUBASSEMBLY RE 210 N 5,77
30	02611161	1	SUN GEAR R1:3.82 WINCH A80
31	263200600	1	SPLINED COUPLING SW4 - S45
32	421000600	1	SHAFT SEEGER Ø40
34	400001900	2	BALL BEARING 6212

921100500H-3

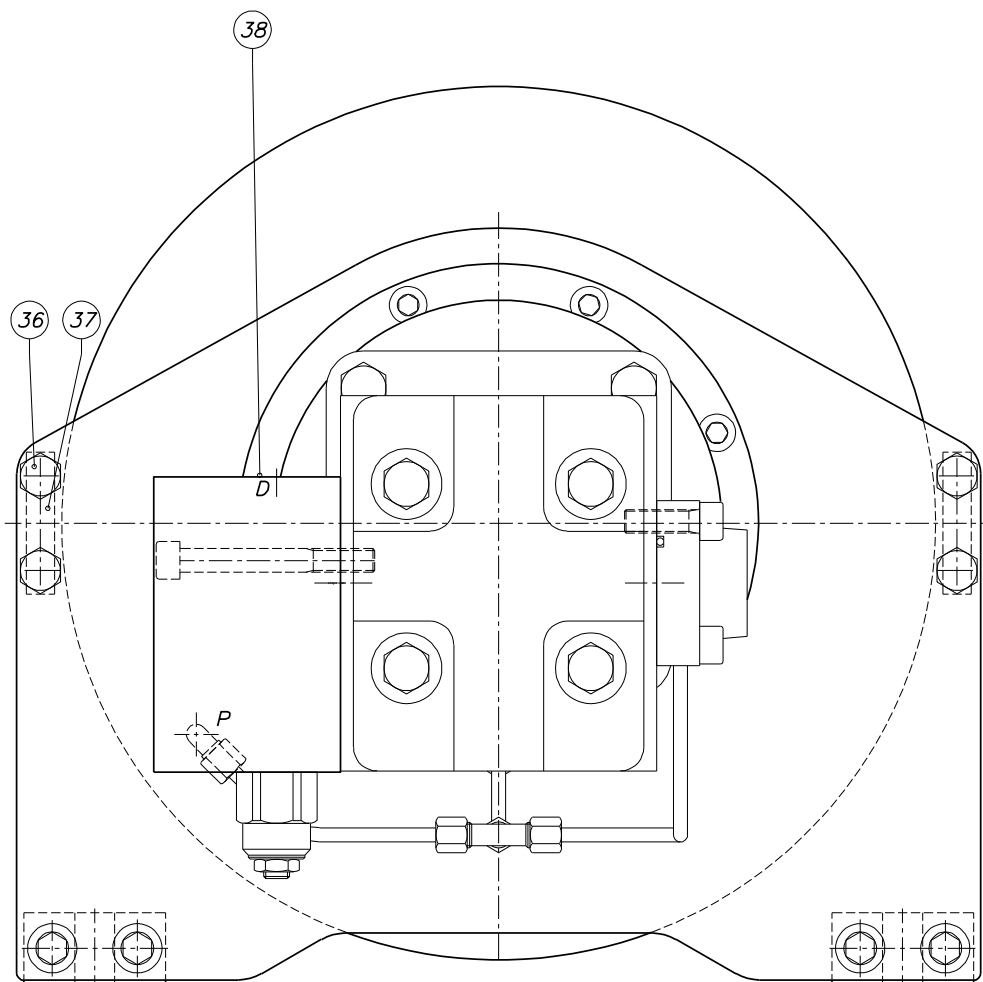
Winch

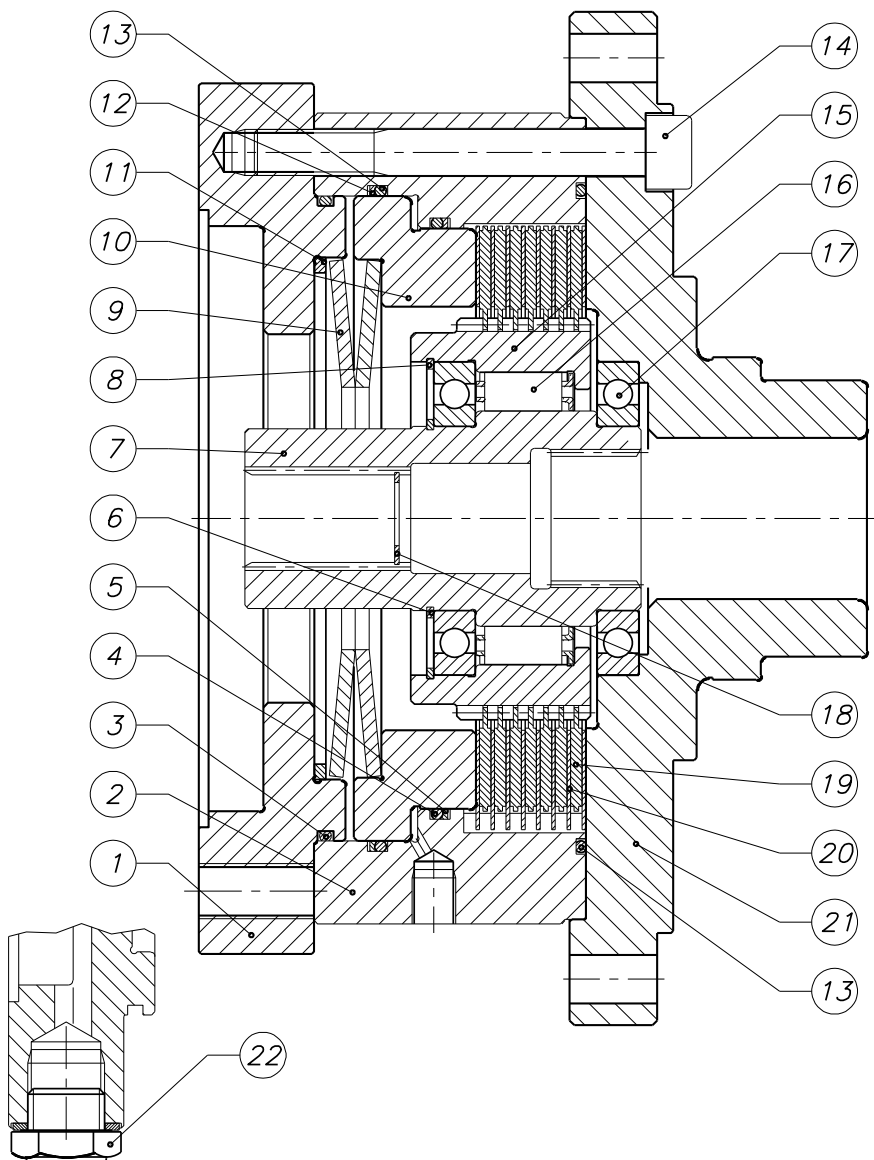
A81-6

Logbook code

921100500H

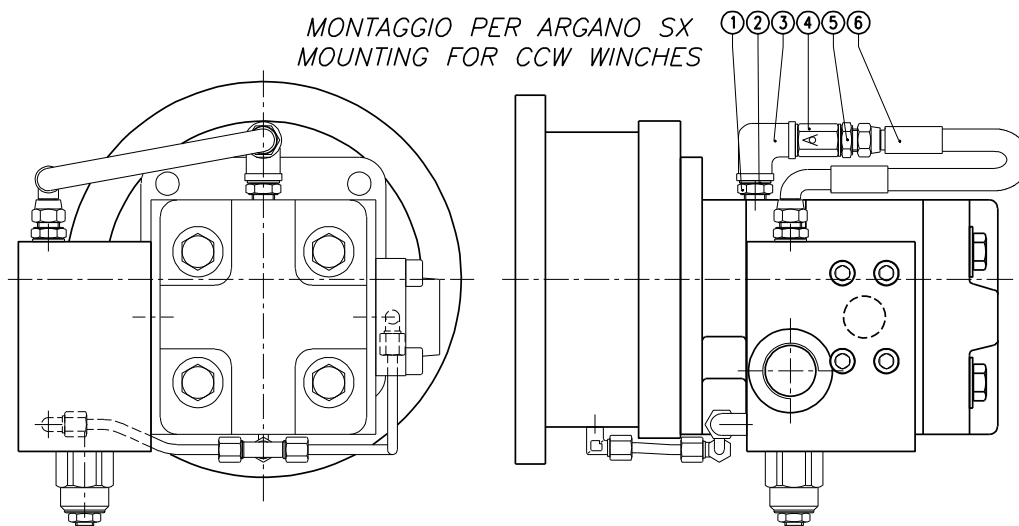
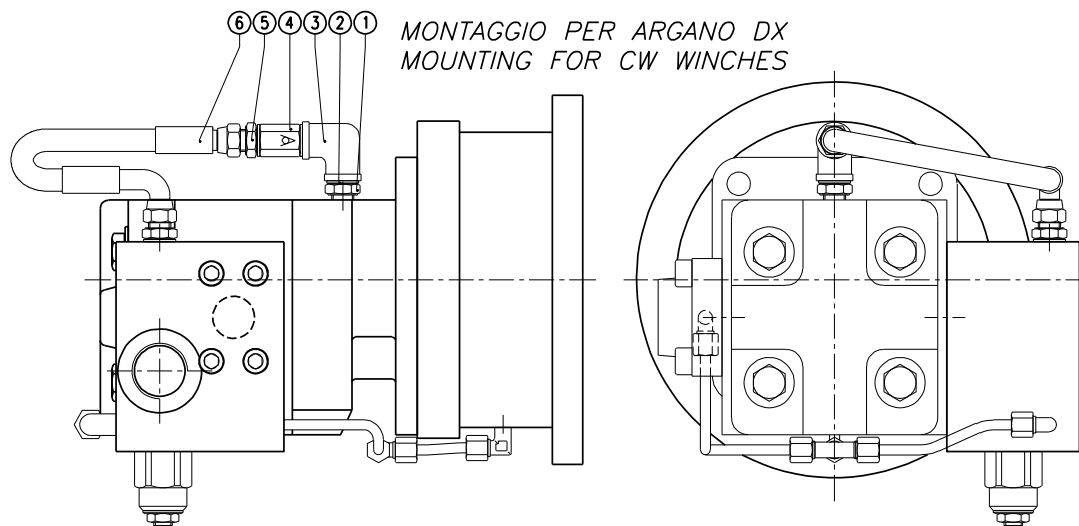
Pos	Code	Qty	Description
36	410260100	8	HEX SOCKET HEAD CAP SCREW M10X25 10.9 UNI 5739
37	02451096	2	UPPER RAIL X WINCH A80/NP36
38	438045700	1	VALVE CBGG240 FMRS.SAE3 40B



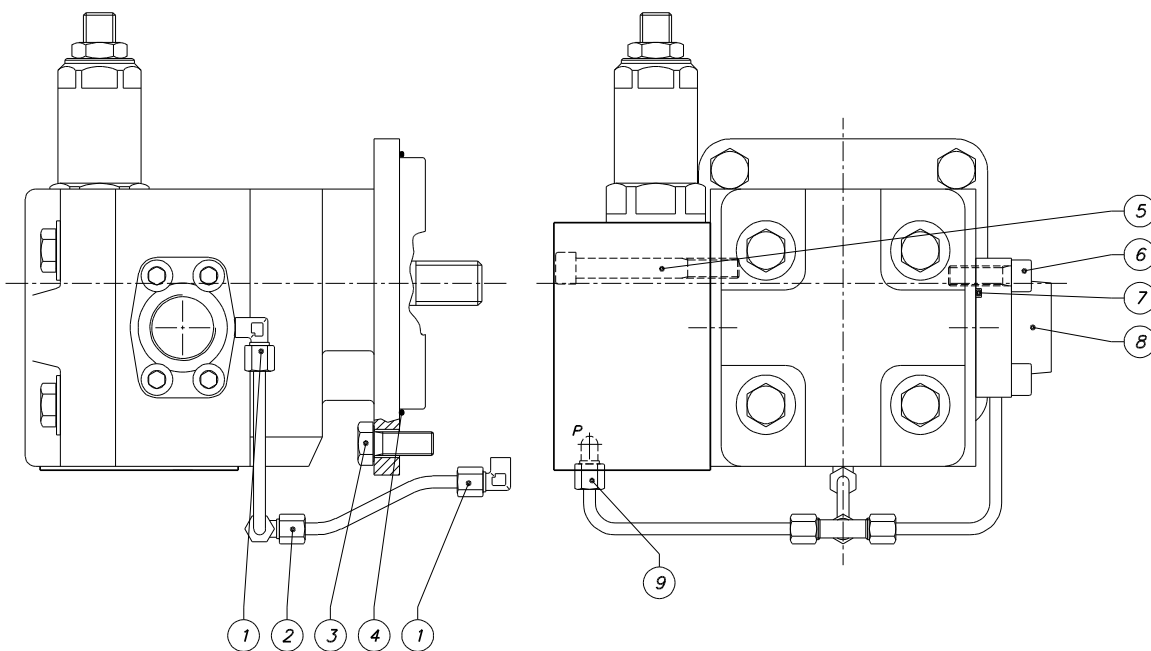


Pos	Code	Qty	Description
1	024610120	1	MOTOR FIXING FLANGE A6-->A15
2	024310105	1	BRAKE BODY A6-->A15
3	406017000	1	O-RING 2-160
4	406016700	1	O-RING N 674-70 (PARKER)
5	415068600	1	ANTIEXTRUSION RING FLUORTEN T-2307/A
6	415021700	1	SHOULDER RING FOR SHAFT WR 40
7	026310123	1	COUPLING MOTOR SAE B 13T
8	415024500	1	SHOULDER RING FOR HOLE BR 68
9	416204200	2	BELLEVILLE SPRING 112X57X3 (A62-A150)
10	022710103	1	BRAKE PISTON A6 --> A15
11	415025900	1	SHOULDER RING BR112 FOR HOLE
12	415067400	1	ANTIEXTRUSION PARBAK 8-161
13	406016100	2	O-RING 2-161 N 741-75 (PARKER)
14	410020500	8	HEX SOCKET HEAD CAP SCREW M10X85 12.9 UNI 5931
15	022410233	1	GEAR DISK HOLDER A6-->A15
16	400030600	1	SPRAG CLUTCH SF 46-21 840 NM
17	400003900	2	BALL BEARING 16008
18	421106700	1	HOLE SEEGER Ø19
19	415041000	7	DISK N266 82X127X2,5 (A62-A150)
20	029410109	8	STEEL DISK SP.0,8 A6-->A15
21	023310121	1	CARRIER FLANGE
22	419020600	1	OIL LEVEL PLUG 3/8"(METAL)

Pos	Code	Qty	Description
1	442042500	1	NIPLES 1/4"G - 1/4"NPT
2	423000300	4	SOFT COPPER WASHER 1/4" UNI6953
3	440004800	1	ADAPTER 90° FF 1/4
4	438011100	1	UNIDIRECTIONAL VALVE VU-20-X-A
5	442020300	2	NIPLES 1/4"
6	443000200	1	FLEXIBLE PIPE R1T 1/4"DR-1/4"90°

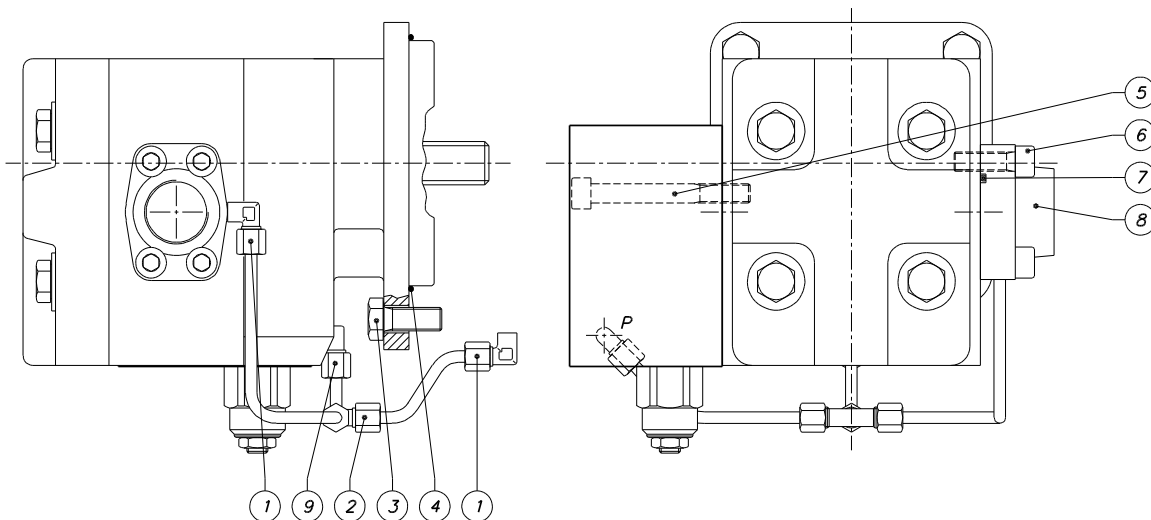


Pos	Code	Qty	Description
1	440000100	2	CONNECTOR 90° 1/8"G CONICAL PIPE D6
2	442041600	1	"T" CONNECTOR FOR PIPE Ø6
3	410203200	4	HEX HEAD CAP SCREW M12X30 8.8 UNI 5739
4	406012600	1	O-RING 2-159
5	410088000	4	SCREW TCEI 3/8"-16 UNC X 3"1/4 12.9
6	410094500	4	SCREW TCEI 3/8"-16 UNC X 1"1/4 8.8
7	406023500	1	O-RING 2-219 NBR 70SH
8	029410110	1	FLANGE U.N.102-B WITH HOLE 1/8"
9	440000200	1	CONICAL CONNECTOR 90° 1/4"G Ø6 PIPE



**REFERRED TO VALVE COD.438045600
(WINCHES A62-4 / A62-3)**

Pos	Code	Qty	Description
1	440000100	2	CONNECTOR 90° 1/8"G CONICAL PIPE D6
2	442041600	1	"T" CONNECTOR FOR PIPE Ø6
3	410203200	4	HEX HEAD CAP SCREW M12X30 8.8 UNI 5739
4	406012600	1	O-RING 2-159
5	410088000	4	SCREW TCEI 3/8"-16 UNC X 3"1/4 12.9
6	410094500	4	SCREW TCEI 3/8"-16 UNC X 1"1/4 8.8
7	406023500	1	O-RING 2-219 NBR 70SH
8	029410110	1	FLANGE U.N.102-B WITH HOLE 1/8"
9	440000200	1	CONICAL CONNECTOR 90° 1/4"G Ø6 PIPE



REFERRED TO VALVE COD.438045700
(WINCHES A81-5 / A81-6 / A120-3 / A120-4 / A150-5)