



Spare parts catalogue

Argano A 80 /IMT

DINAMIC OIL

via P.Togliatti, 15
41030 Bomporto (Mo)
e-mail: dinamicoil@dinamicoil.it
tel ++39.059.812611
fax Winches +39.059.812606
Fax Export +39.059.812601

Logbook code

Edition

920810060H

Printed on

27-09-2006



Table index

Logbook code	920810060H	
Printed on	27-09-2006	1/1

Page	Table heading	Table code
1	Winch	920810060H-1
2	Winch	920810060H-2
3	Brake unit	02981067

Page	Table heading	Table code
------	---------------	------------

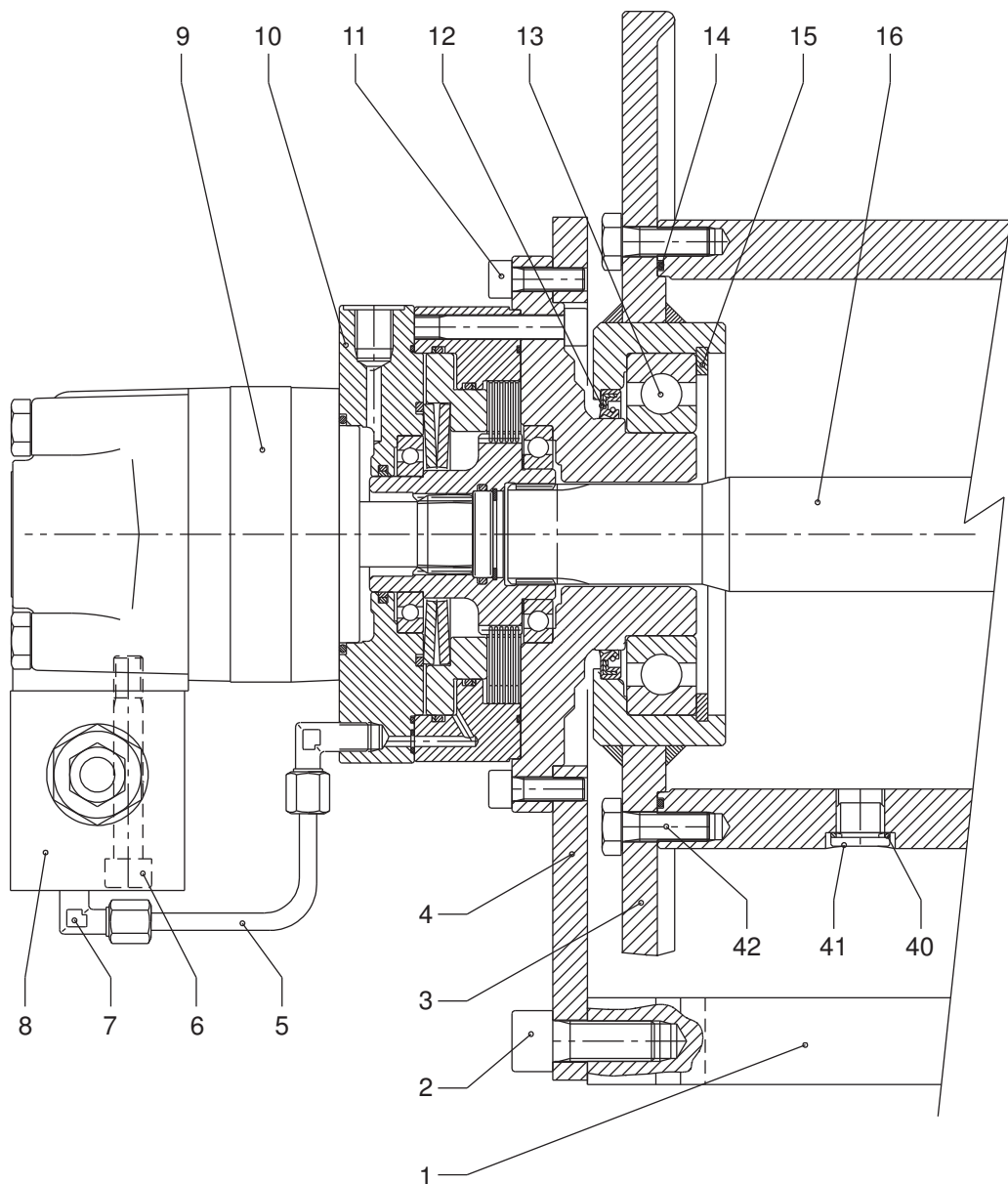


Winch

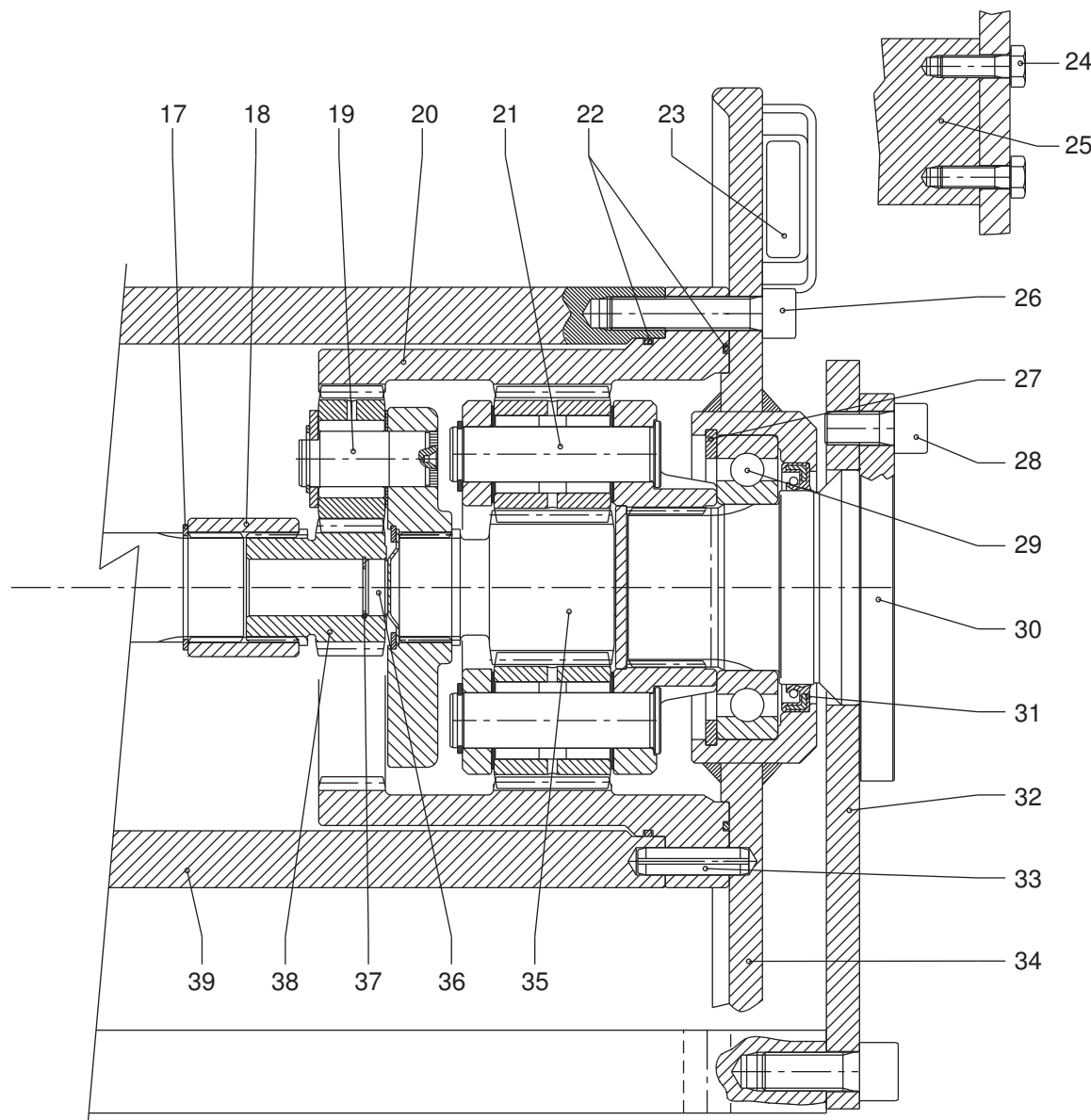
Model **Argano A 80**

Code **920810060H-1**

1/1



Pos.	Code	Q.ty	Description
1	02451095	2	Cross member (Lower)
2	410400300	8	Socketed head cap screw
3	02991160	1	Side panel motor side
4	023402164	1	Motor side support
5	02671014	1	Pipe
6	410406100	2	Socketed head cap screw
7	440000100	2	90° Connection (Conical)
8	438022100	1	Valve
9	425024400	1	Hydraulic motor
10	02981067	1	Brake unit
11	410403000	8	Socketed head cap screw
12	415002500	1	Oil retainer seal
13	400001600	1	Ball bearing
14	406014700	1	O-ring joint
15	421102700	1	Seeger
16	02441109	1	Propeller shaft
40	423000600	1	Copper washer
41	419000700	1	Plug
42	410031000	6	Hex screw



Pos.	Code	Q.ty	Description
17	421000600	1	Seeger
18	263200600	1	Sleeve
19	99103700	1	Reduction gear unit
20	02231033	1	Spur ring
21	99158600	1	Shaft
22	406013000	2	O-ring joint
23	02410204	1	Thimble
24	410260100	8	Hex screw
25	02451096	2	Cross member (Upper)
26	410020100	6	Socketed head cap screw
27	421102000	1	Seeger
28	410407700	10	Socketed head cap screw
29	400001900	1	Ball bearing
30	02371003	1	Antirotation flange
31	415004800	1	Oil retainer seal
32	023402165	1	Gear side support
33	434002400	2	Spring pin
34	02991297	1	Reduction gear side body
35	02611161	1	Driven shaft
36	02741008	1	Insert
37	421105700	1	Retaining ring
38	2030052100	1	Sun gear
39	02301020	1	Winch drum

Brake unit

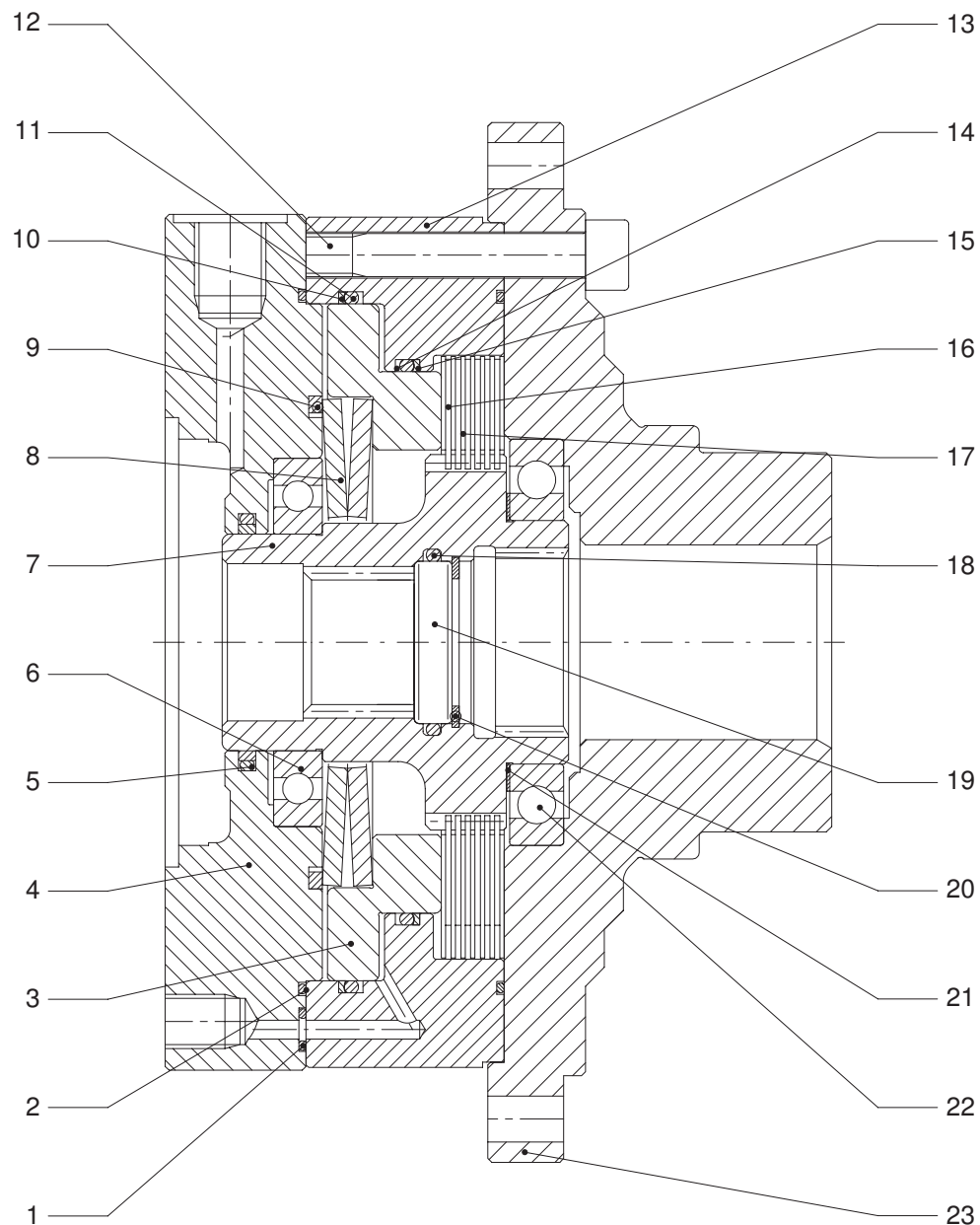
Model

Argano A 80

Code

02981067

1/1



Pos.	Code	Q.ty	Description
1	406001100	1	O-ring joint
2	406001200	2	O-ring joint
3	02271007	1	Piston
4	02461087	1	Flange
5	415061900	1	Seal
6	400003900	1	Ball bearing
7	02241087	1	Gear
8	416201400	2	Belleville washer
9	415021200	1	Shoulder ring
10	406016700	1	O-ring joint
11	415067500	1	Anti-extrusion ring
12	410403800	8	Socketed head cap screw
13	02431013	1	Brake body
14	406015900	1	O-ring joint
15	415069000	1	Anti-extrusion ring
16	02941016	7	Disc
17	02941017	6	Disc
18	406005800	1	O-ring joint
19	02741005	1	Insert
20	421100400	1	Seeger
21	427004900	1	Shim ring
22	400003000	1	Ball bearing
23	02331059	1	Supporting flange