



Spare parts catalogue

Winch
A62-4

DINAMIC OIL S.p.A.

Via Togliatti, 15
41030 Bomporto (MO)
tel +39.059.812611
fax +39.059.812603
dinamicoil@dinamicoil.it

Spare parts catalogue No.

L79

Logbook code

921000000F

Edition

07/03/2013

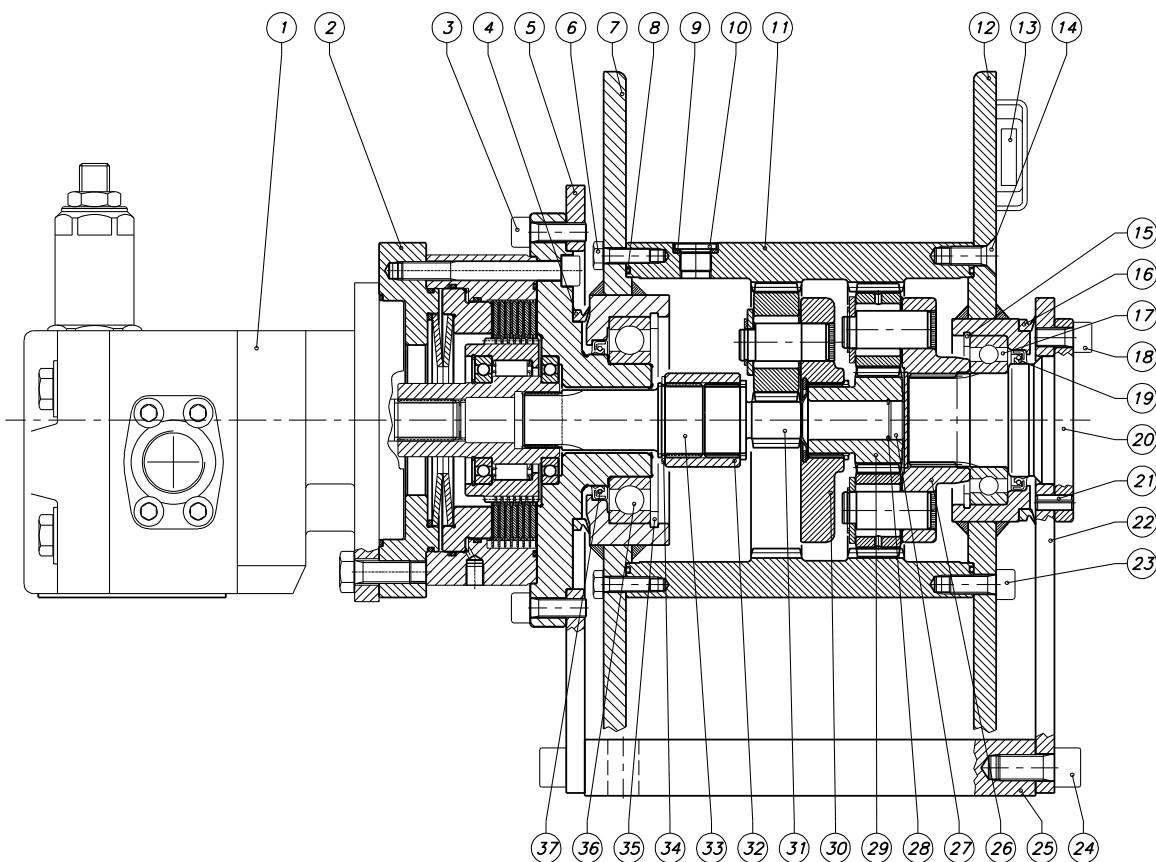
Revision

0



Table index	<i>Winch</i>	A62-4
	<i>Logbook code</i>	921000000F

Page	Table code	Table heading
3	921000000F-1	WINCH A62-4 SX SMOOTH Ø11
4	921000000F-2	WINCH A62-4 SX SMOOTH Ø11
5	029813107	DRAIN FITTING KIT VOC190
6	02981354-1	FITTINGS KIT FOR A A62-81-120-150
7	02981354-2	FITTINGS KIT FOR A A62-81-120-150
8	029810209	BRAKE GROUP A6-A8 SX (SHAFT SAE B)



Pos	Code	Qty	Description
1	425090200	1	MOTOR PERMCO W3100A867ADNE20-14
2	029810209	1	BRAKE GROUP A6-A8 SX (SHAFT SAE B)
3	410401700	8	SCREW TCEI M10X30 12.9
4	415016900	1	Description not available
5	023410285	1	MOTOR SIDE SUPPORT WINCH A62
6	410201100	8	SCREW TE M8X25 10.9 UNI 5739
7	029911209	1	MOTOR SIDE FLANGE WINCH A62
8	406023600	2	O-RING 2-164
9	423000600	2	SOFT WASHER COPPER 3/8" UNI 6953
10	419000700	2	HEX SOCKET HEAD CAP PLUG DIN 908 R 3/8"GAS
11	023010141	1	DRUM WINCH A60-62
12	029912245	1	GEAR FLANGE WINCH A62
13	02410214	1	THIMBLE NP05 Ø6 P9 Ø7-8
14	410101200	2	SCREW TSPEI M10X25 10.9 UNI5933
15	421101700	1	HOLE SEEGER Ø90
16	406061900	1	V-RING NBR VA 100
17	400004600	1	BALL BEARING 6210 TYPE B
18	410022600	8	HEX SOCKET HEAD CAP SCREW M10X20 12.9 UNI5931
19	415006900	1	SEAL RING 60X75X8 BASL
20	02371015	1	ANTIROTATION FLANGE X WINCH A50/60
21	434014700	2	ELASTIC PIN SPIROL Ø 8X20 UNI6875
22	023410286	1	GEAR SIDE SUPPORT WINCH A62
23	410407000	4	HEX SOCKET HEAD CAP SCREW M10X25 12.9
24	410409500	8	HEX SOCKET HEAD CAP SCREW M14X30 12.9 UNI 5931
25	024510194	2	FIXING PLATE WINCH A62
26	99143000	1	GEAR SUBASSEMBLY RE240 R1:3,82 ARG.A50
27	02741008	1	INSERT Ø20,6X8 BRONZE
28	421105700	1	HOLE SEEGER Ø21
29	02611070	1	INTERMEDIATE SUN GEAR R=1:3.82 EH242/RE242
30	99103900	1	SUBASSEMBLY RE 210 N 7,2
31	02611020	1	SUN GEAR 2°STAGE R=1:7.2 RE 210 / '98
32	263200600	1	SPLINED COUPLING SW4 - S45
33	024410133	1	TRANSMISSION SHAFT
34	421000600	1	SHAFT SEEGER Ø40
35	421102000	1	HOLE SEEGER Ø110
36	400001900	1	BALL BEARING 6212
37	415002200	1	SEAL RING 70X85X8 BASL

921000000F-2

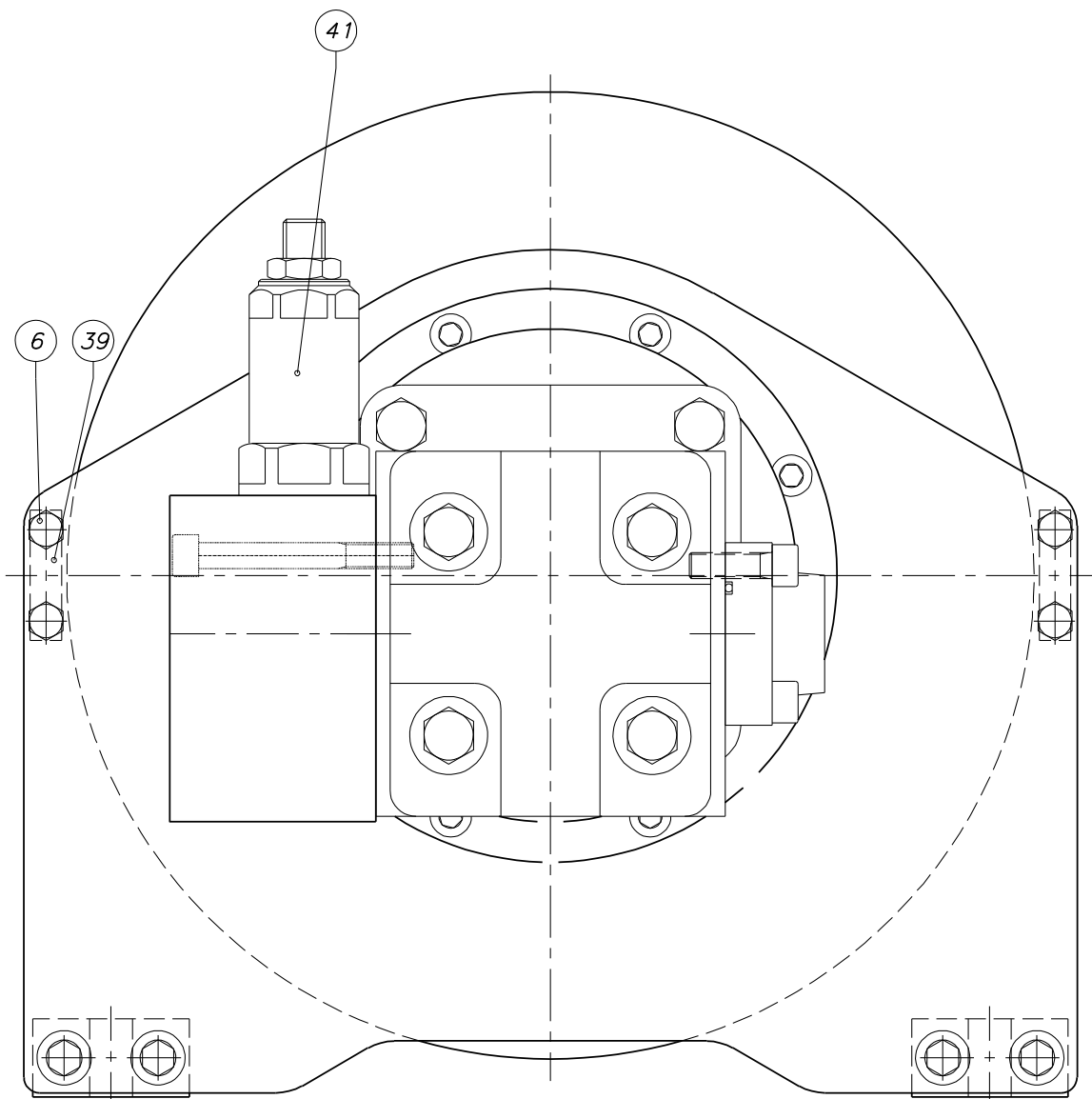
Winch

A62-4

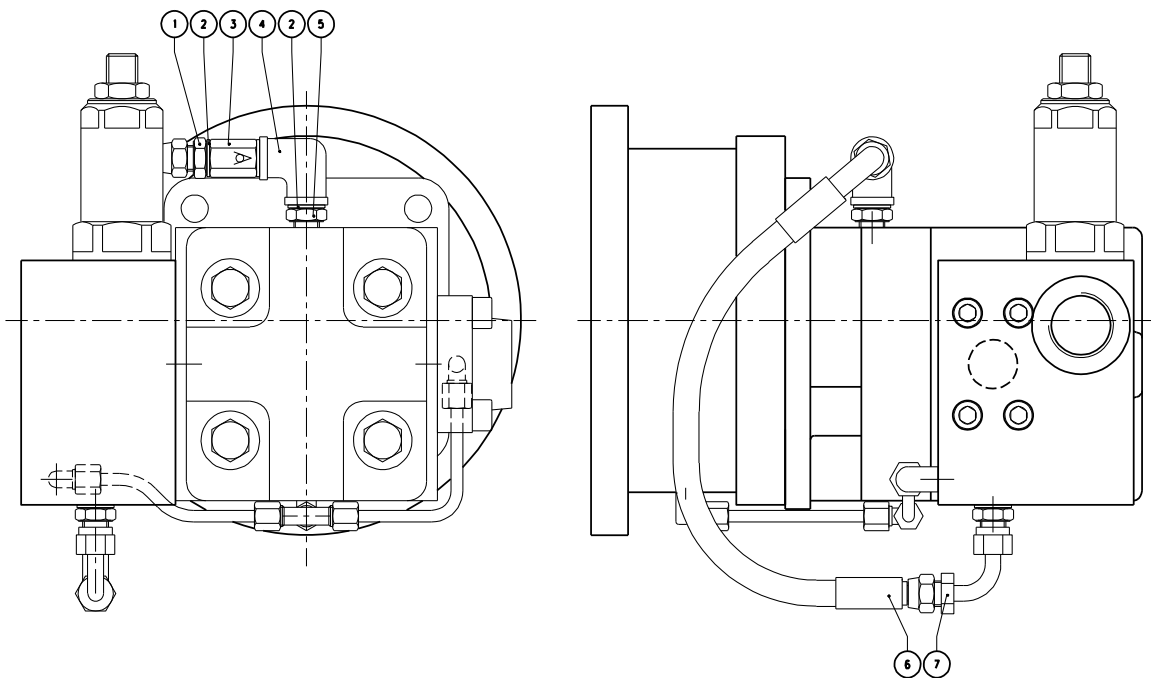
Logbook code

921000000F

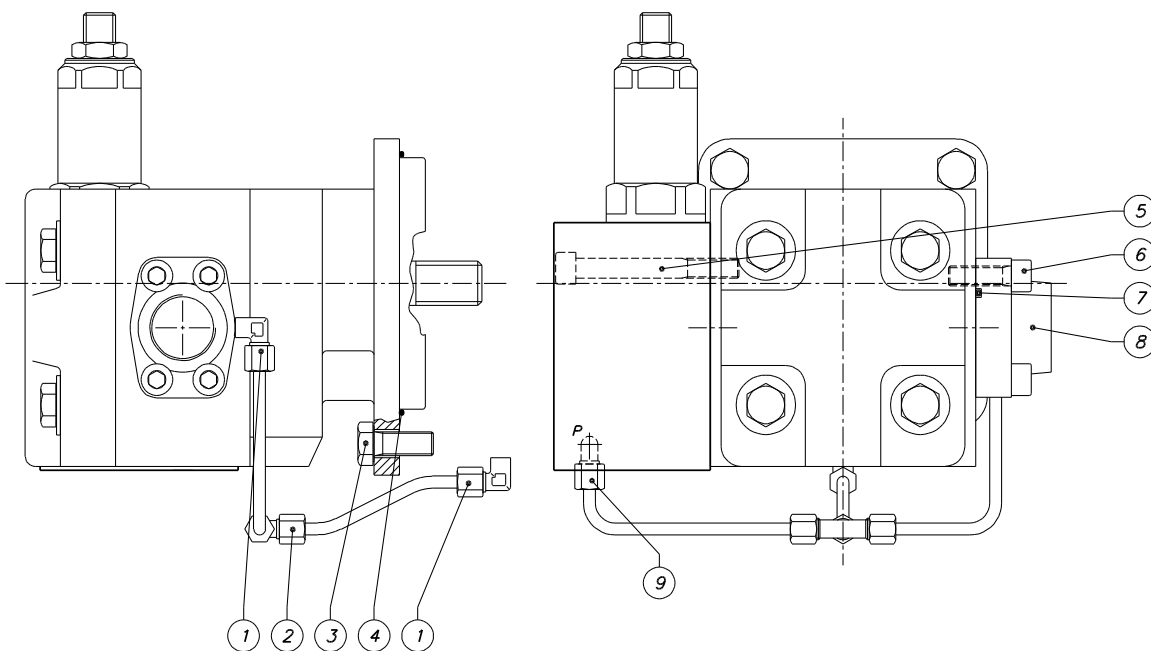
Pos	Code	Qty	Description
6	410201100	8	SCREW TE M8X25 10.9 UNI 5739
39	024510195	2	CROSS MEMBER WINCH A62
41	438045600	1	VALVE VOC190 FMRSCHVU.SAE3 3AY39B



Pos	Code	Qty	Description
1	442020300	2	NIPLES 1/4"
2	423000300	4	SOFT COPPER WASHER 1/4" 13X19X1.5
3	438011100	1	UNIDIRECTIONAL VALVE VU-20-X-A
4	440004800	1	ADAPTER 90° FF 1/4
5	442042500	1	NIPLES 1/4"G - 1/4"NPT
6	443000200	1	FLEXIBLE PIPE R1T 1/4"DR-1/4"90°
7	442010700	1	SWINGING JOINT 90° MF 1/4" G

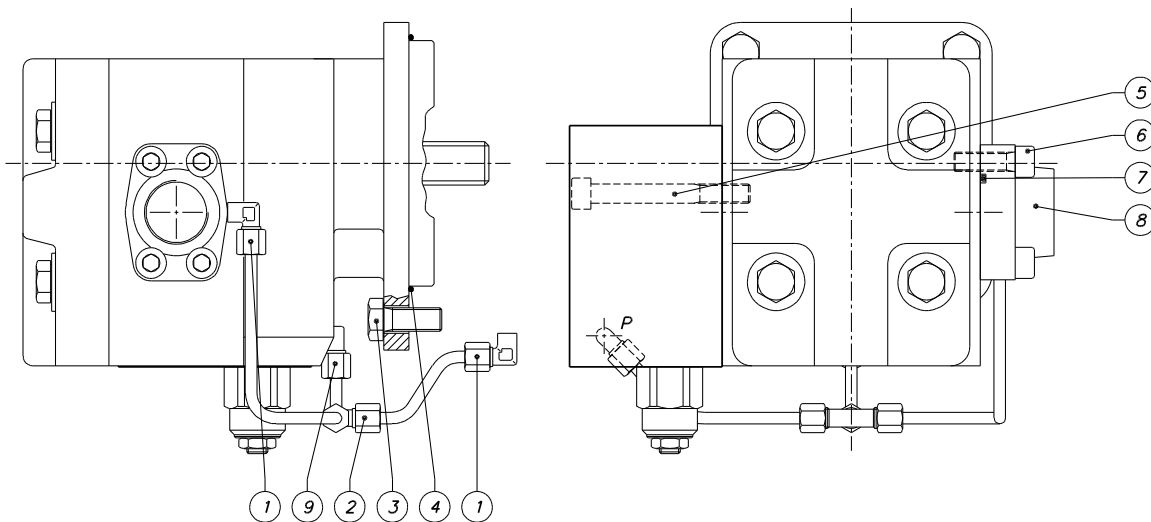


Pos	Code	Qty	Description
1	440000100	2	CONNECTOR 90° 1/8"G CONICAL Ø6 PIPE
2	442041600	1	"T" CONNECTOR FOR PIPE Ø6
3	410203200	4	SCREW TE M12X30 8.8
4	406012600	1	O-RING 2-159
5	410088000	4	SCREW TCEI 3/8"-16 UNC X 3"1/4 12.9
6	410094500	4	SCREW TCEI 3/8"-16 UNC X 1"1/4 8.8
7	406023500	1	O-RING 2-219 NBR 70SH
8	029410110	1	FLANGE U.N.102-B WITH HOLE 1/8"
9	440000200	1	CONICAL CONNECTOR 90° 1/4"G Ø6 PIPE

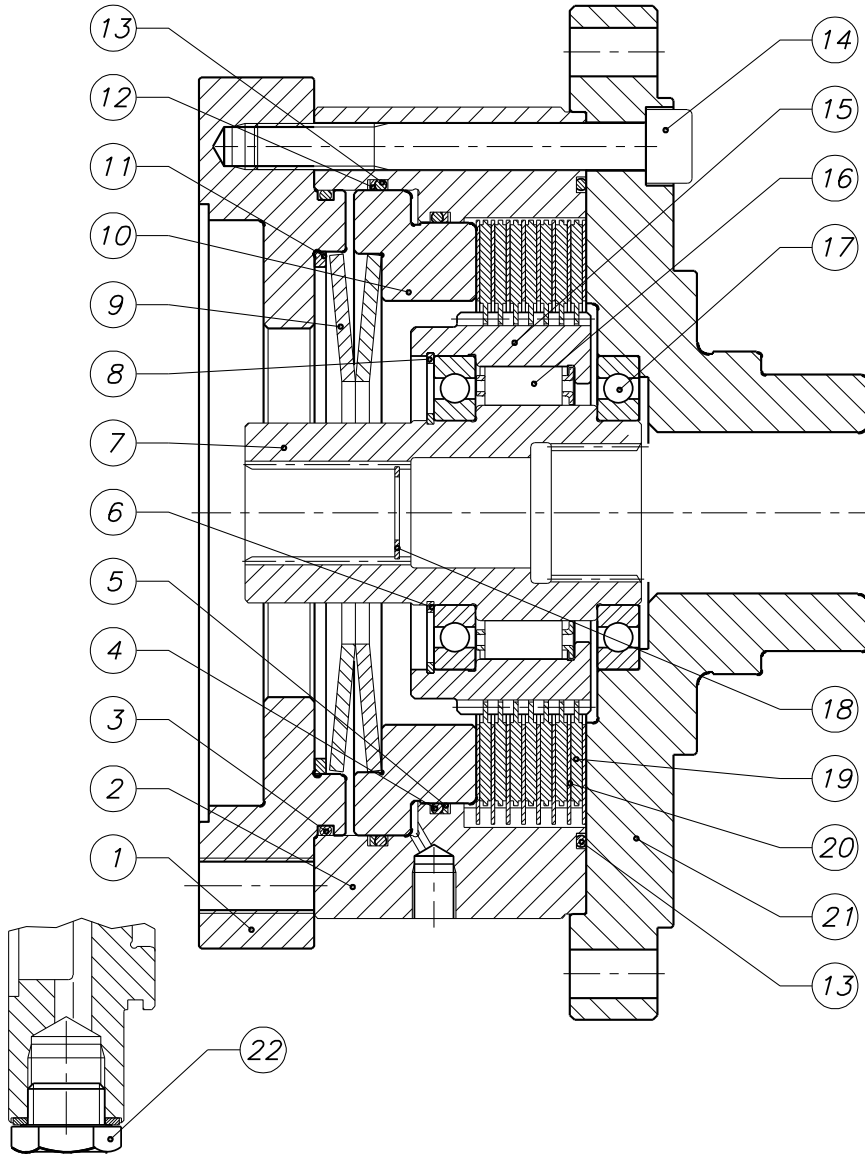


REFERRED TO VALVE COD.438045600
(WINCHES A62-4 / A62-3)

Pos	Code	Qty	Description
1	440000100	2	CONNECTOR 90° 1/8"G CONICAL Ø6 PIPE
2	442041600	1	"T" CONNECTOR FOR PIPE Ø6
3	410203200	4	SCREW TE M12X30 8.8
4	406012600	1	O-RING 2-159
5	410088000	4	SCREW TCEI 3/8"-16 UNC X 3"1/4 12.9
6	410094500	4	SCREW TCEI 3/8"-16 UNC X 1"1/4 8.8
7	406023500	1	O-RING 2-219 NBR 70SH
8	029410110	1	FLANGE U.N.102-B WITH HOLE 1/8"
9	440000200	1	CONICAL CONNECTOR 90° 1/4"G Ø6 PIPE



REFERRED TO VALVE COD.438045700
(WINCHES A81-5 / A81-6 / A120-3 / A120-4 / A150-5)



Pos	Code	Qty	Description
1	024610120	1	MOTOR FIXING FLANGE A6-->A15
2	024310105	1	BRAKE BODY A6-->A15
3	406017000	1	O-RING 2-160
4	406016700	1	O-RING 2-159 N 674-70 (PARKER)
5	415068600	1	ANTIEXTRISION RING FLUORTEN T-2307/A
6	415021700	1	SHOULDER RING FOR SHAFT WR 40
7	026310123	1	COUPLING MOTOR SAE B 13T
8	415024500	1	SHOULDER RING FOR HOLE BR 68
9	416204200	2	DISC SPRING 112X57X3
10	022710103	1	BRAKE PISTON A6 --> A15
11	415025900	1	SHOULDER RING BR112 FOR HOLE
12	415067400	1	ANTIEXTRUSION PARBAK 8-161
13	406016100	2	O-RING 2-161 N 741-75 (PARKER)
14	410020500	8	SCREW TCEI M10X85 12.9
15	022410233	1	GEAR DISK HOLDER A6-->A15
16	400030600	1	FREEWHEEL SF 46-21 840 N.M
17	400003900	2	BALL BEARING 16008 TIPO B
18	421106700	1	HOLE SEEGER Ø19
19	415041000	7	DISK N266 82X127X2,5
20	029410109	8	STEEL DISK SP.0,8 A6-->A15
21	023310121	1	CARRIER FLANGE
22	419020600	1	LEVEL OIL PLUG 3/8"(METAL)