



Spare parts catalogue

Winch A55 EZ3

DINAMIC OIL S.p.A.

via Togliatti, 15
41030 Bomporto (MO)
tel ++39.059.812611
fax +39.059.812603
dinamicoil@dinamicoil.it

Serial No

L13

Logbook code

920500360I

Edition

03/2012





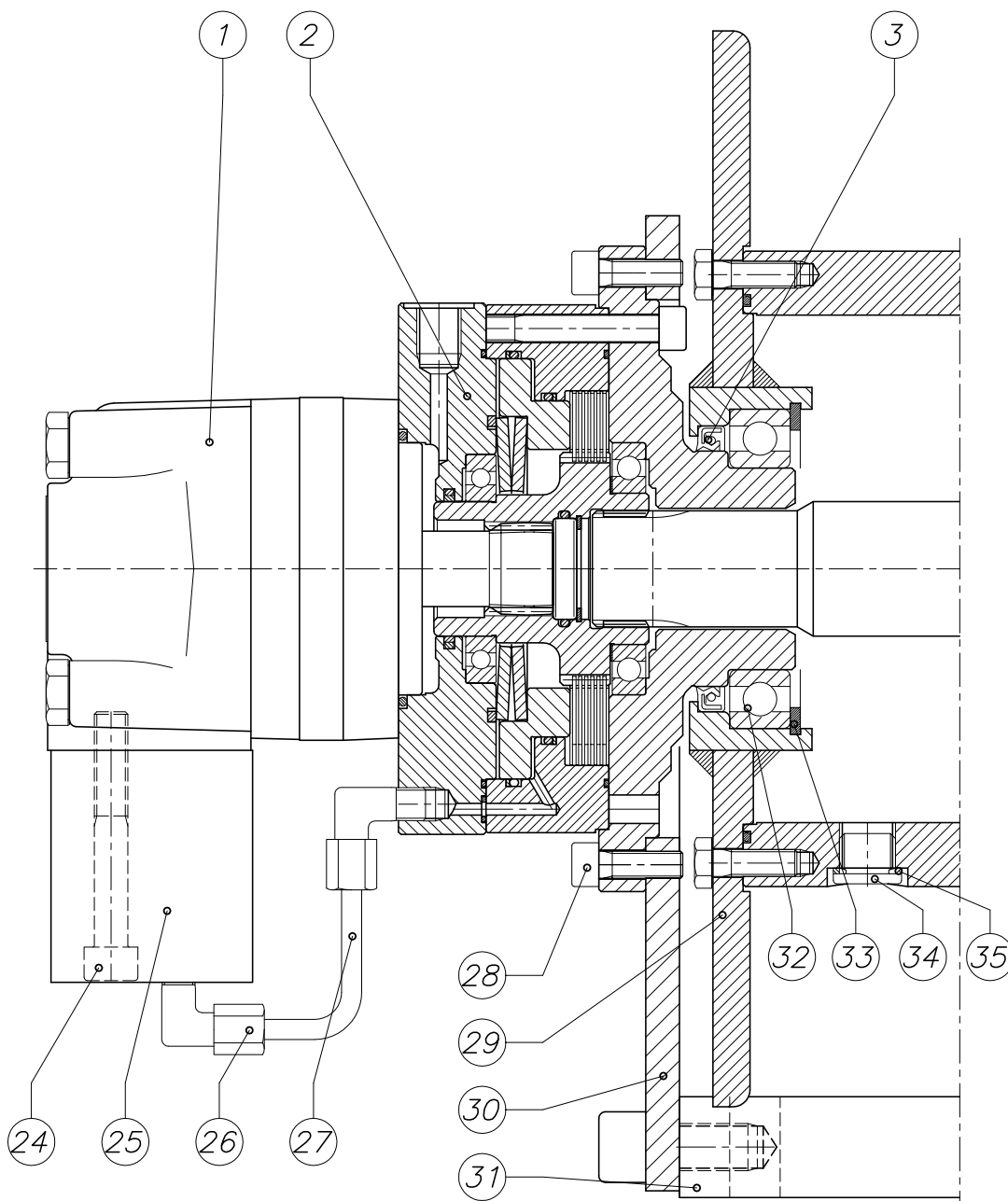
Table index

Machine	A55 EZ3	
Logbook code	920500360I	1/1

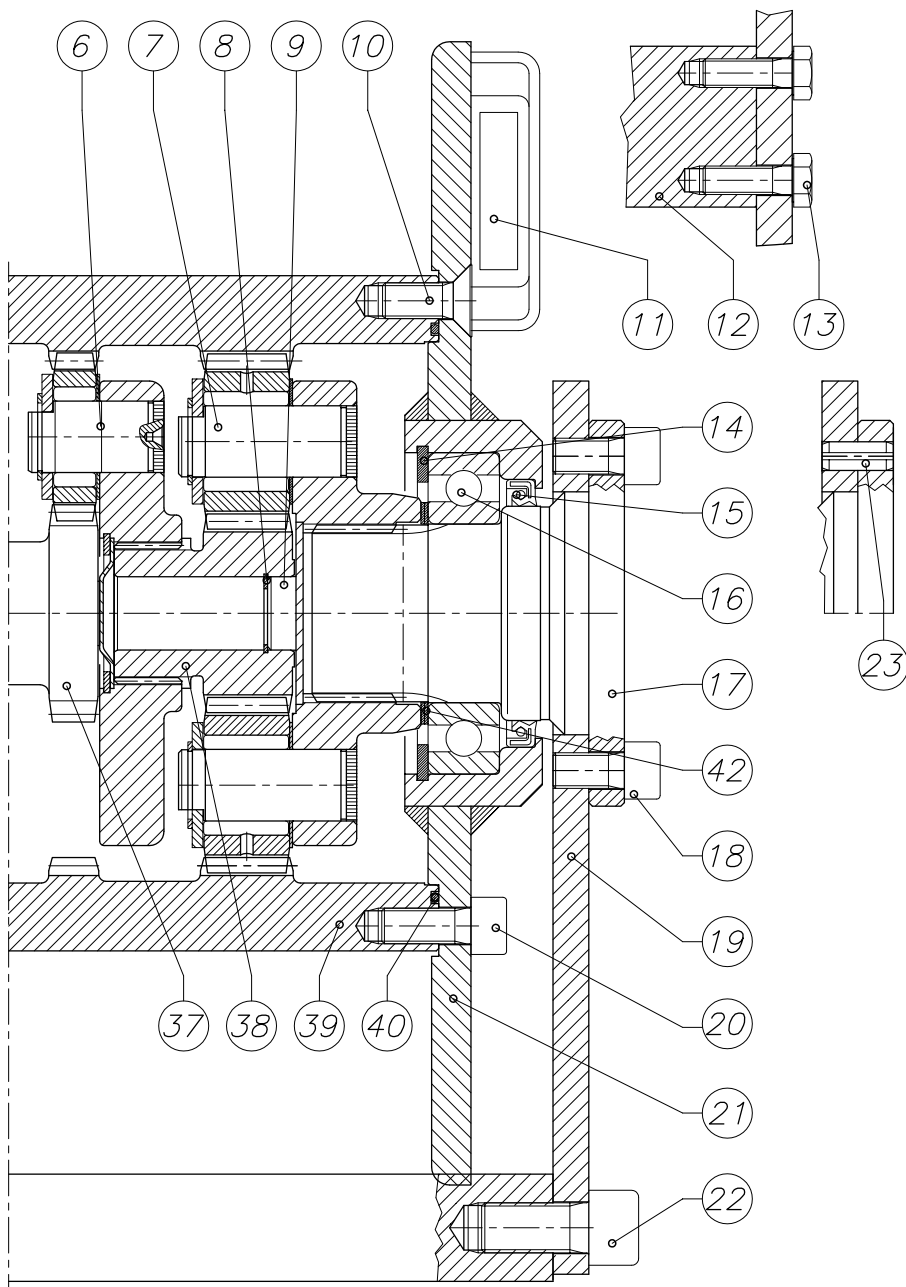
Page	Table code	Table heading	Variant
5	920500360I-1	Winch	
6	920500360I-2	Winch	
7	02981085	Brake unit	

Page	Table code	Table heading	Variant
------	------------	---------------	---------





Pos	Code	Q.ty	Description
1	425026800	1	Hydraulic motor
2	02981085	1	Brake unit
3	415002200	1	Oil retainer seal
24	410002000	2	Hex socked head cap screw
25	438040300	1	Valve
26	440000100	2	90° Connection (Conical)
27	02671089	1	Brake pipe
28	410403000	8	Hex socked head cap screw
29	029911207	1	Side flange (motor side)
30	023410272	1	Motor side support
31	024510174	2	Fastening surface plate
32	400002600	1	Ball bearing
33	421102100	1	Retaining ring
34	419000700	1	Plug
35	423000600	1	Copper washer



Pos	Code	Q.ty	Description
6	99102500	1	Reduction gear unit (RE 110)
7	99143000	1	Reduction gear unit
8	421104000	1	Seeger
9	02741008	1	Insert
10	410101200	2	Hex socket countersunk head
11	241002000	1	Thimble
12	024510175	2	Cross member
13	410201100	16	Hexagon screw
14	421101700	1	Seeger
15	415006900	1	Oil retainer seal
16	400022100	1	Ball bearing
17	02371015	1	Antirotation flange
18	410022600	8	Hex socked head cap screw
19	023410273	1	Gear side support
20	410407000	4	Hex socked head cap screw
21	029912241	1	Side flange (gear side)
22	410409500	8	Hex socked head cap screw
23	434014700	2	Spring pin
37	02611366	1	Sun gear
38	02611070	1	Sun gear
39	023010141	1	Winch drum
40	406023600	2	O-ring joint
42	427006200	2	Shim ring

Brake unit

Variant

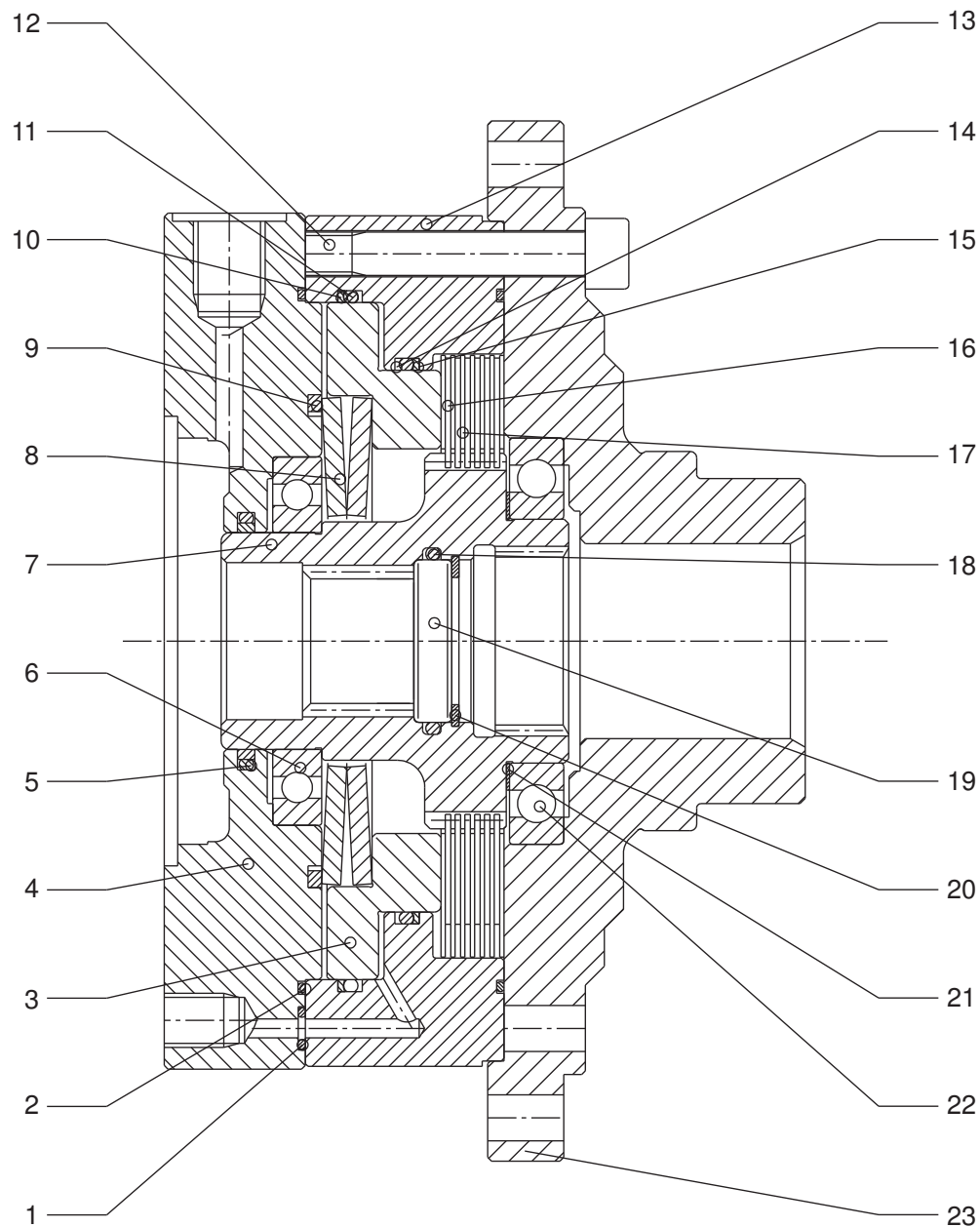
Machine

A55 EZ3

Machine

9205003601

1/1



Pos	Code	Q.ty	Description
1	406001100	1	O-ring joint
2	406001200	2	O-ring joint
3	02271007	1	Piston
4	02461087	1	Flange
5	415061900	1	Seal
6	400003900	1	Ball bearing
7	02241087	1	Gear
8	416201400	2	Belleve washer
9	415021200	1	Shoulder ring
10	406016700	1	O-ring joint
11	415067500	1	Antiextrusion ring
12	410403800	8	Hex socked head cap screw
13	02431013	1	Brake body
14	406015900	1	O-ring joint
15	415069000	1	Antiextrusion ring
16	02941016	7	Disc
17	02941017	6	Disc
18	406005800	1	O-ring joint
19	02741005	1	Insert
20	421100400	1	Seeger
21	427004900	1	Shim ring
22	400003000	1	Ball bearing
23	02331058	1	Supporting flange

