



Spare parts catalogue

Winch
A24

DINAMIC OIL S.p.A.

Via Togliatti, 15
41030 Bomporto (MO)
tel +39.059.812611
fax +39.059.812603
dinamicoil@dinamicoil.it

Spare parts catalogue No.

L90

Logbook code

931010100D

Edition

30/03/2013

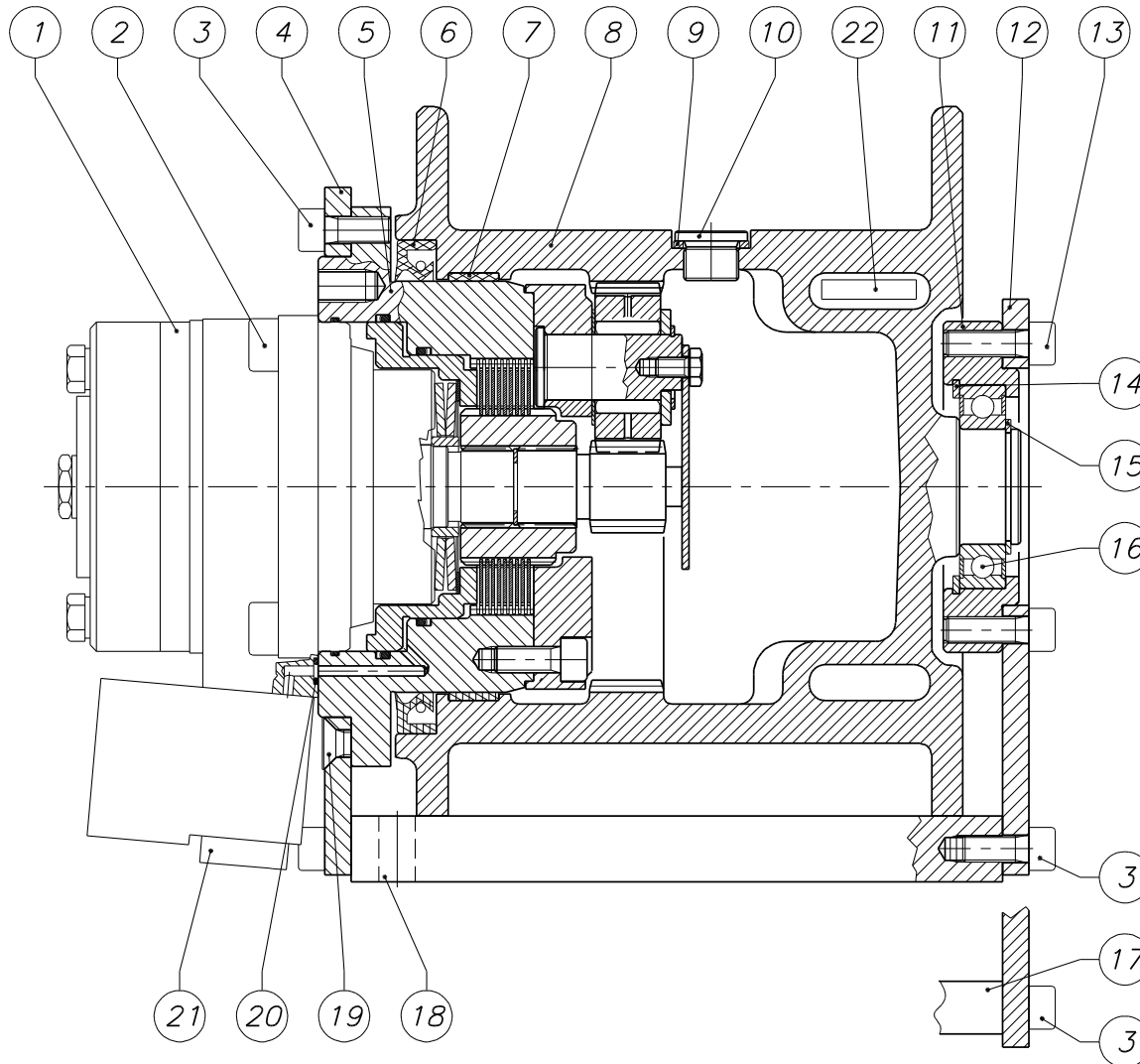
Revision

0

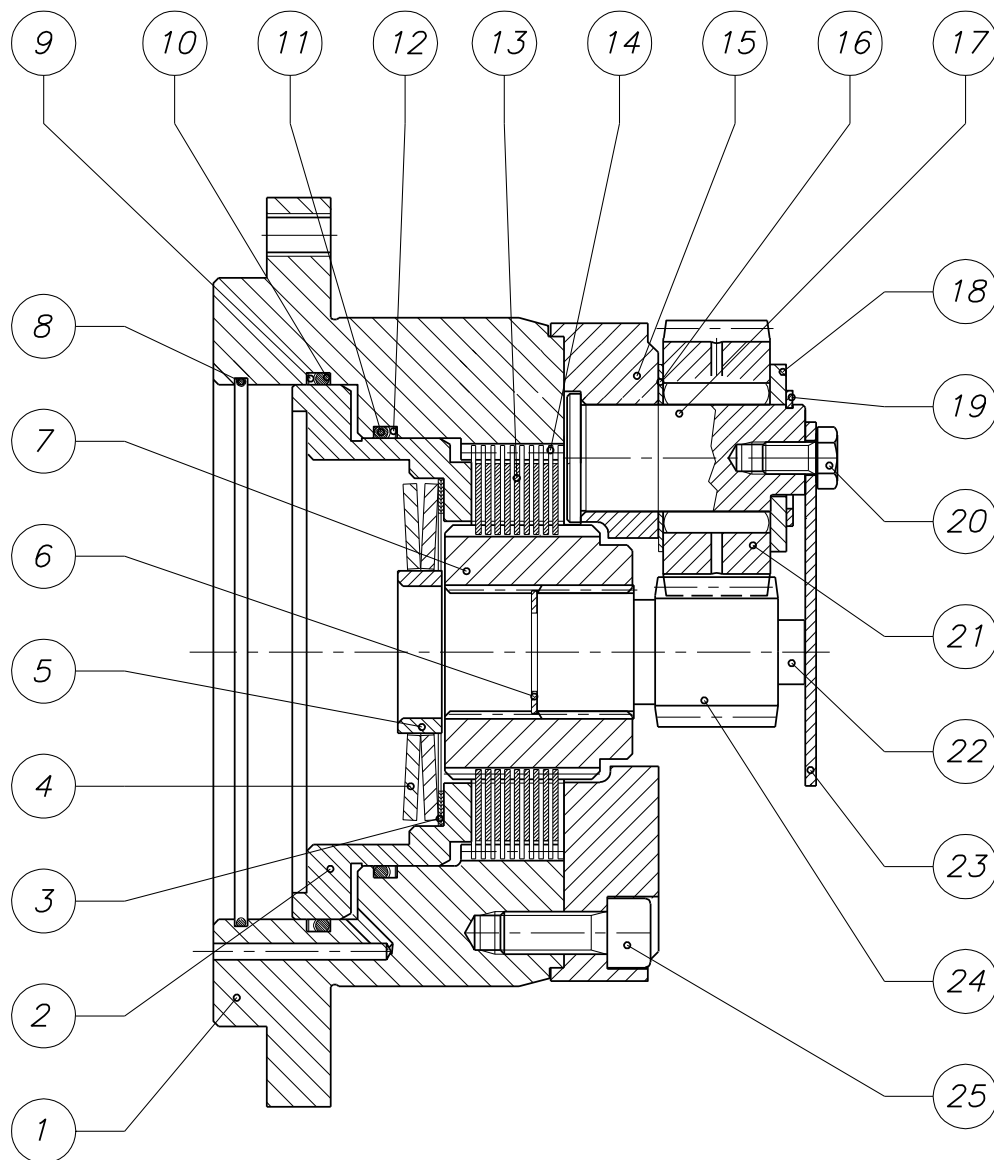


Table index	<i>Winch</i>	A24
	<i>Logbook code</i>	931010100D

Page	Table code	Table heading
3	931010100D	WINCH A24 CW L.F8
4	029810117	BRAKE GROUP NP05-12 (+ GEARBOX)



Pos	Code	Qty	Description
1	NML100R00000000	1	MOTOR MLR 100
2	410407000	4	HEX SOCKET HEAD CAP SCREW M10X25 12.9
3	410402900	18	SCREW TCEI M8X20 12.9
4	234001400	1	MOTOR SIDE SUPPORT NP10
5	029810117	1	BRAKE GROUP NP05-12 (+ GEARBOX)
6	415011300	1	SEAL RING 125X150X12 BASL
7	294201800	1	GUIDE RING 81T25150-1250-92-A
8	02301026	1	DRUM WINCH NP10
9	423000600	1	SOFT WASHER COPPER 3/8" UNI 6953
10	419000700	1	HEX SOCKET HEAD CAP PLUG DIN 908 R 3/8"GAS
11	023510107	1	SUPPORT RING WINCH A30
12	234001300	1	SUPPORT SIDE ROPE CONNECTION NP10
13	410403000	4	SCREW TCEI M8X25 12.9 UNI 5931
14	421101000	1	HOLE SEEGER Ø62
15	421000500	1	SHAFT SEEGER Ø35
16	400003800	1	BALL BEARING 6007 2RS TIPO B
17	024510171	2	FIXING PLATE WINCH A11-18-24-30
18	024510170	2	FIXING PLATE WINCH A11-18-24-30
19	410040400	2	SCREW TSPEI M8X20 10.9
20	406001100	1	O-RING 2-008
21	438041200	1	VALVE VBO48 ATTAC.9/16"-18 UNF
22	241000100	1	THIMBLE



Pos	Code	Qty	Description
1	233102400	1	CARRIER FLANGE WINCH NP10
2	02271003	1	BRAKE PISTON FD
3	427014300	2	THICKNESS SHIM ADJUSTMENT 52X65X0,5 DIN988
4	416202600	2	CUP SPRING 63X31X2,5
5	2030090700	1	SPRING GUIDE RING GR100-200 FN DIS
6	421103200	1	HOLE SEEGER Ø22
7	2020120400	1	HOLDER BLADE BUSHING FD
8	406000800	1	O-RING 2-045
9	406015900	1	O-RING 2-155 N 741-75 (PARKER)
10	415069000	1	ANTIEXTRUSION FLUORTEN T-2684
11	406012000	1	O-RING 2-152 N 741-75
12	415068900	1	ANTIEXTRUSION FLUORTEN T-2683
13	294182100	9	BRONZE DISK FD (1 MM)
14	294181900	10	STEEL DISK FD (0,8 MM)
15	237115100	1	PLANETARY CARRIER NP10
16	402002700	3	SHIM AS 20X35X0,8
17	260101200	3	PLANETARY CARRIER SHAFT NP10
18	402004000	3	SHIM ADJUSTMENT CPS 1506
19	421000100	3	SHAFT SEEGER Ø20
20	410211000	3	SCREW TE M6X10 8.8
21	02981902	3	PLANETARY GEAR GROUP NP10
22	2030101700	1	SUN GEAR PAD NP18
23	240100700	1	CONTAINMENT PLATE NP10-NP18
24	261101200	1	SOLAR GEAR NP10-NP12
25	410402900	9	SCREW TCEI M8X20 12.9