



Spare parts catalogue

**Winch
A150-5**

DINAMIC OIL S.p.A.

Via Togliatti, 15
41030 Bomporto (MO)
tel +39.059.812611
fax +39.059.812603
dinamicoil@dinamicoil.it

Spare parts catalogue No.

L85

Logbook code

921300000M

Edition

07/03/2013

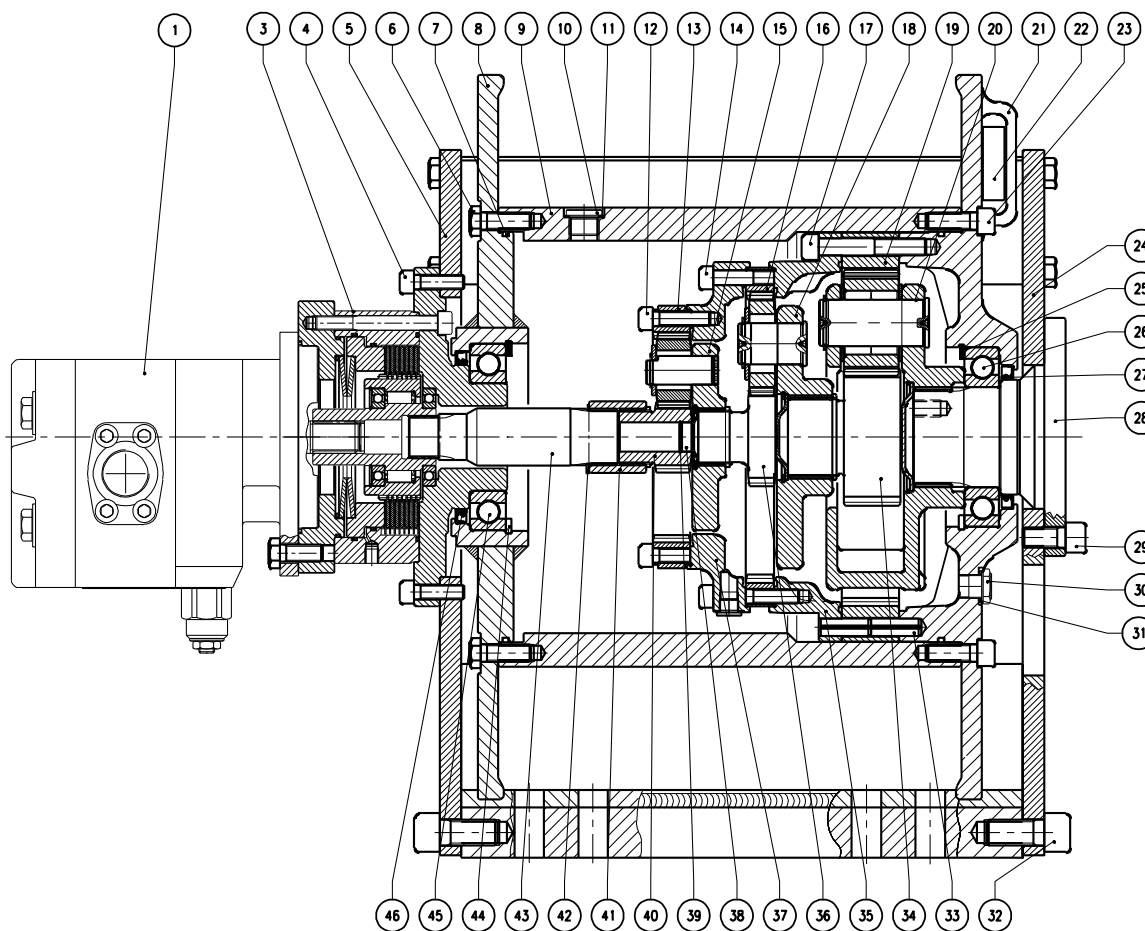
Revision

0



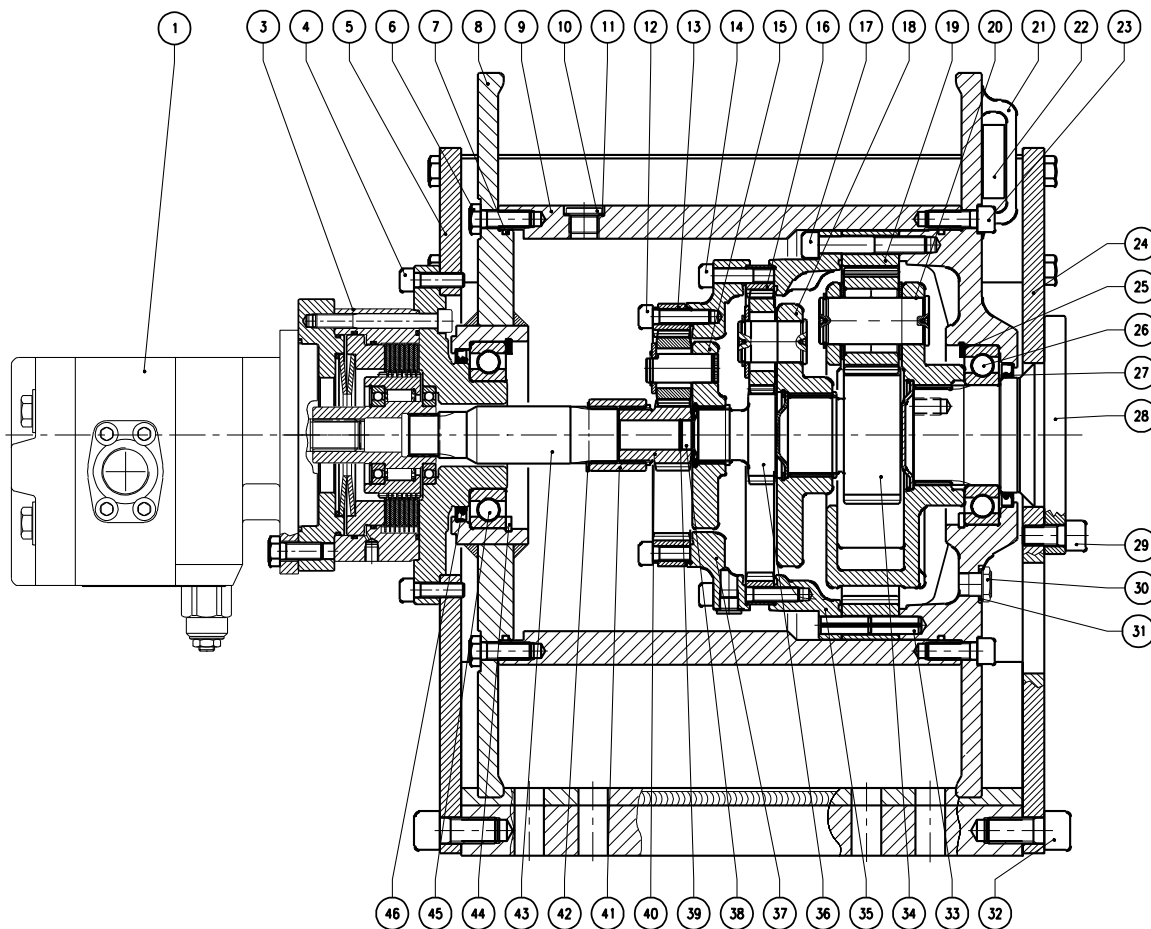
Table index	<i>Winch</i>	A150-5
	<i>Logbook code</i>	921300000M

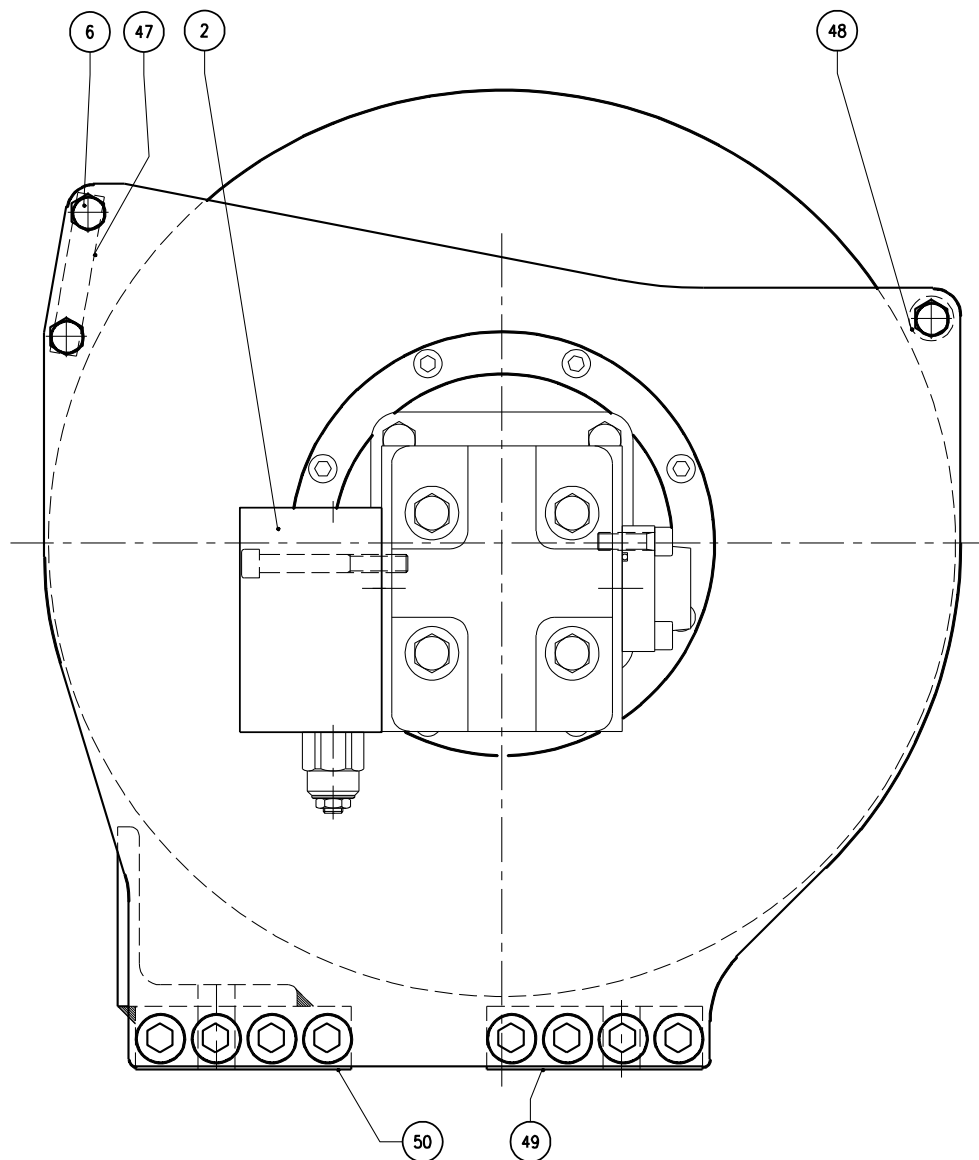
Page	Table code	Table heading
3	921300000M-1	WINCH A150-5 SX SMOOTH Ø16
4	921300000M-2	WINCH A150-5 SX SMOOTH Ø16
5	029813108	DRAIN FITTING KIT VOC240
6	02981354-1	FITTINGS KIT FOR A A62-81-120-150
7	02981354-2	FITTINGS KIT FOR A A62-81-120-150
8	029810208	BRAKE GROUP A12-A15 SX(SHAFT SAE B)



Pos	Code	Qty	Description
1	425090300	1	MOTOR PERMCO W5100A867ADNE20-14
3	029810208	1	BRAKE GROUP A12-A15 SX(SHAFT SAE B)
4	410401400	8	SCREW TCEI M10X35 12.9 UNI 5931
5	023410283	1	MOTOR SIDE SUPPORT WINCH A150
6	410033400	14	TE SCREW M12X35 10.9 UNI 5739
7	406023000	2	O-RING 2-275
8	029911211	1	MOTOR SIDE FLANGE WINCH A150
9	023010136	1	SMOOTH DRUM WINCH A150
10	419000800	2	CYLINDRICAL PLUG 1/2" GAS PLUG DIN 908
11	423000700	2	SOFT COPPER WASHER 1/2" 21X27X2
12	410406800	8	HEX SOCKET HEAD CAP SCREW M10X40 12.9 UNI5931
13	02231009	1	RING GEAR RE210/240
14	410410300	12	HEX SOCKET HEAD CAP SCREW M10X60 12.9
15	99186300	1	GEAR SUBASSEMBLY RE810 R=1:3.5 WINCH SE65L
16	2030021300	1	RE300 RING GEAR
17	410406900	12	HEX SOCKET HEAD CAP SCREW M12X75 12.9 UNI 5931
18	99106100	1	GEAR SUBASSEMBLY RE 310 R=1:4,25
19	02231011	1	RING GEAR RE810
20	99103700	1	GEAR SUBASSEMBLY RE 210 N 4,26
21	023210133	1	ROPE COUPLING SIDE FLANGE
22	02410206	1	THIMBLE S45-S45V Ø16
23	410400700	8	HEX SOCKET HEAD CAP SCREW M12X35 12.9
24	023410284	1	GEAR SIDE SUPPORT WINCH A150
25	421102700	1	HOLE SEEGER Ø125
26	400001600	1	6214 BALL BEARING
27	415002500	1	SEAL RING 80X100X7/8 BABS L
28	02371017	1	ANTIROTATION FLANGE TW4
29	410409500	12	HEX SOCKET HEAD CAP SCREW M14X30 12.9 UNI 5931
30	419020600	1	LEVEL OIL PLUG 3/8"(METAL)
31	423000600	1	SOFT WASHER COPPER 3/8" UNI 6953
32	410021000	16	SCREW TCEI M18X40 12.9
33	434006700	4	ELASTIC PIN SPIROL Ø12X36 UNI6875
34	2030024000	1	SUN GEAR 2ST R=4,25 RE 310
35	2030022400	1	INTERMEDIATE FLANGE RE300-500 FOR RE110/210/240
36	2030052100	1	SUN GEAR 4,2 RE210/EH212
37	02971224	1	INTERMEDIATE FLANGE 510-810 S45
38	02741008	1	INSERT Ø20,6X8 BRONZE
39	421105700	1	HOLE SEEGER Ø21
40	02611030	1	SOLAR GEAR 2ST R=3,56 RE 810

Pos	Code	Qty	Description
41	263200600	1	SPLINED COUPLING SW4 - S45
42	421000600	1	SHAFT SEEGER Ø40
43	024410132	1	TRANSMISSION SHAFT
44	421103600	1	HOLE SEEGER Ø130
45	400005900	1	BALL BEARING 6215
46	415084600	1	SEAL RING 100X120X7,5 BABS





Pos	Code	Qty	Description
2	438045700	1	VALVE CBGA240 FMRS.SAE3 40B
6	410033400	14	TE SCREW M12X35 10.9 UNI 5739
47	024510186	1	CROSS MEMBER WINCH A150
48	024510193	1	ROUND CROS MEMBER WINCH A150
49	024510187	1	FIXING PLATE DX WINCH A150
50	024510188	1	FIXING PLATE DX WINCH A150



029813108

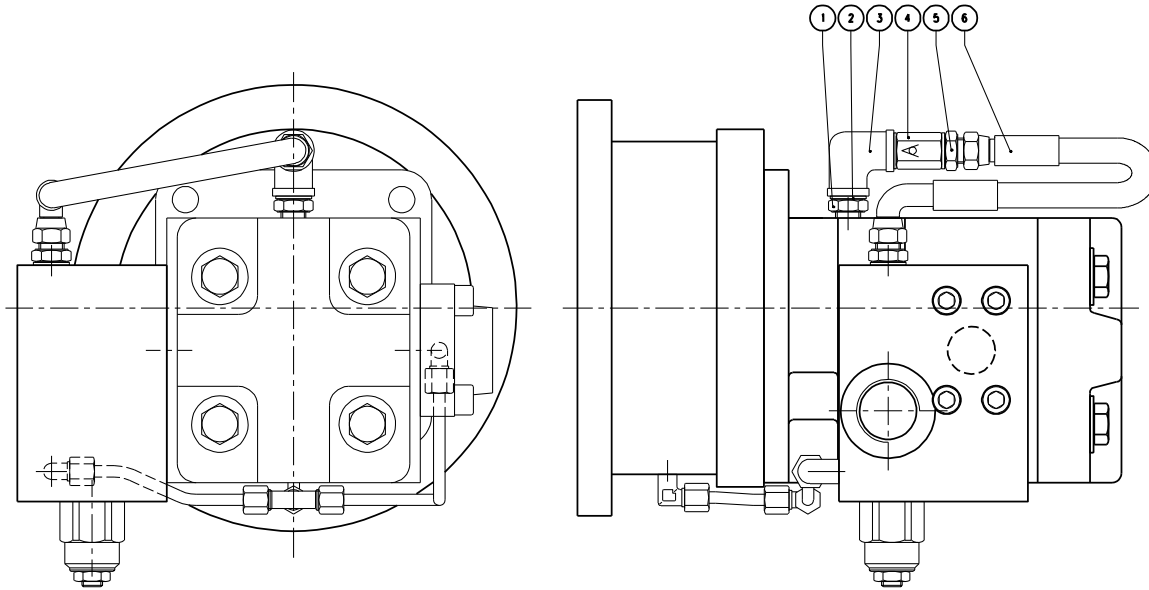
Winch

A150-5

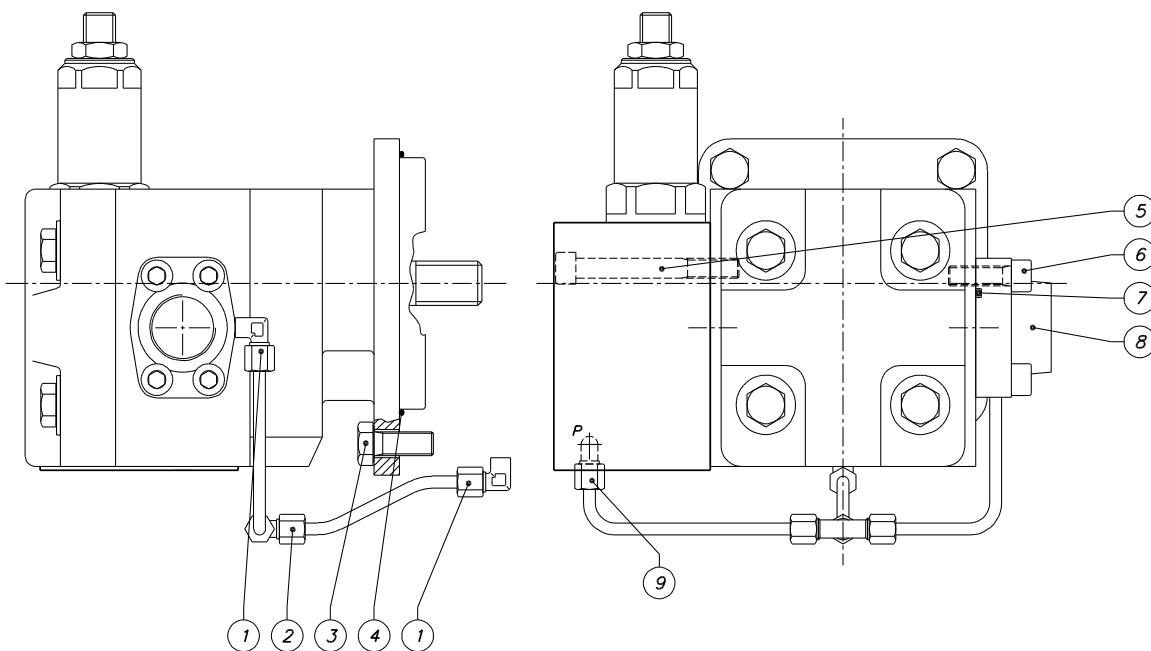
Logbook code

921300000M

Pos	Code	Qty	Description
1	442042500	1	NIPLES 1/4"G - 1/4"NPT
2	423000300	4	SOFT COPPER WASHER 1/4" 13X19X1.5
3	440004800	1	ADAPTER 90° FF 1/4
4	438011100	1	UNIDIRECTIONAL VALVE VU-20-X-A
5	442020300	2	NIPLES 1/4"
6	443000200	1	FLEXIBLE PIPE R1T 1/4"DR-1/4"90°

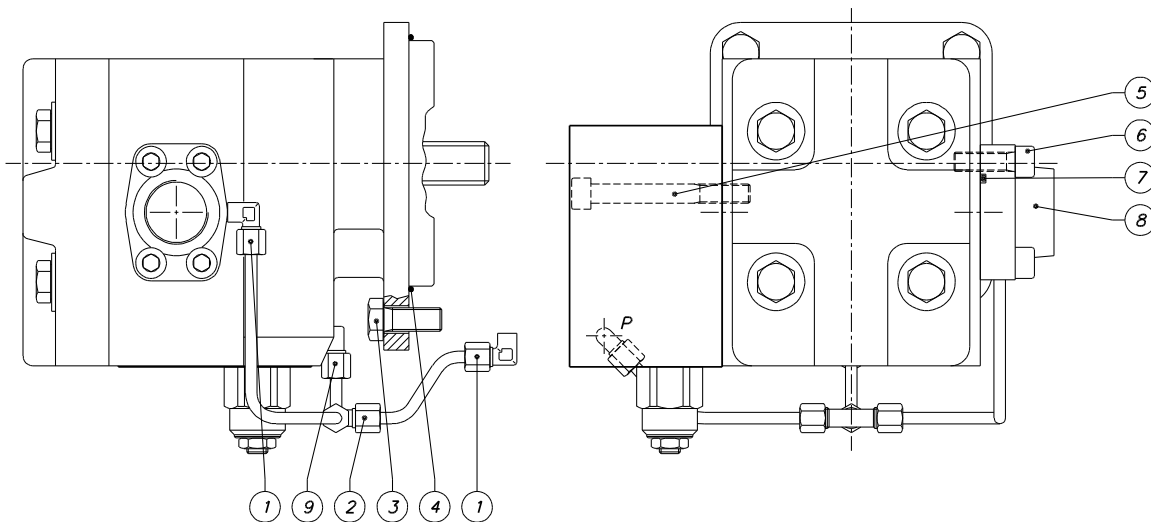


Pos	Code	Qty	Description
1	440000100	2	CONNECTOR 90° 1/8"G CONICAL Ø6 PIPE
2	442041600	1	"T" CONNECTOR FOR PIPE Ø6
3	410203200	4	SCREW TE M12X30 8.8
4	406012600	1	O-RING 2-159
5	410088000	4	SCREW TCEI 3/8"-16 UNC X 3"1/4 12.9
6	410094500	4	SCREW TCEI 3/8"-16 UNC X 1"1/4 8.8
7	406023500	1	O-RING 2-219 NBR 70SH
8	029410110	1	FLANGE U.N.102-B WITH HOLE 1/8"
9	440000200	1	CONICAL CONNECTOR 90° 1/4"G Ø6 PIPE

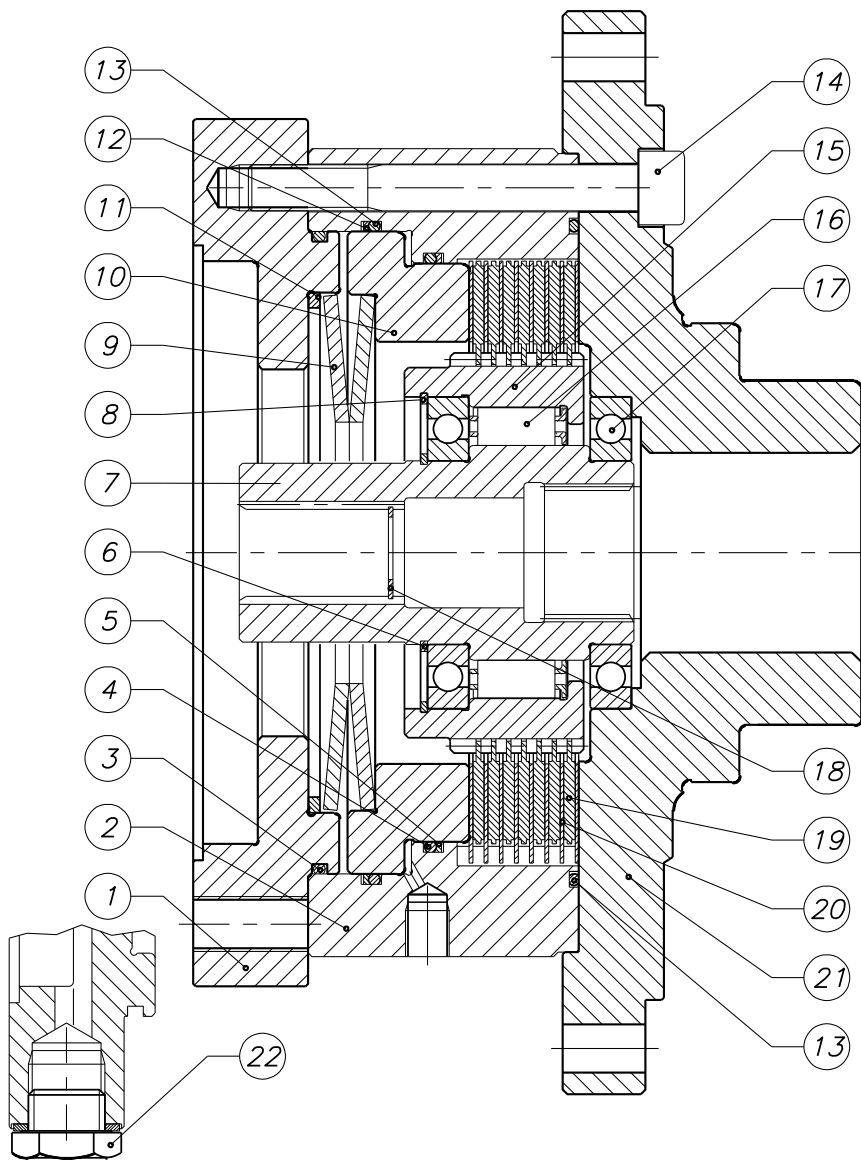


REFERRED TO VALVE COD.438045600
(WINCHES A62-4 / A62-3)

Pos	Code	Qty	Description
1	440000100	2	CONNECTOR 90° 1/8"G CONICAL Ø6 PIPE
2	442041600	1	"T" CONNECTOR FOR PIPE Ø6
3	410203200	4	SCREW TE M12X30 8.8
4	406012600	1	O-RING 2-159
5	410088000	4	SCREW TCEI 3/8"-16 UNC X 3"1/4 12.9
6	410094500	4	SCREW TCEI 3/8"-16 UNC X 1"1/4 8.8
7	406023500	1	O-RING 2-219 NBR 70SH
8	029410110	1	FLANGE U.N.102-B WITH HOLE 1/8"
9	440000200	1	CONICAL CONNECTOR 90° 1/4"G Ø6 PIPE



REFERRED TO VALVE COD.438045700
(WINCHES A81-5 / A81-6 / A120-3 / A120-4 / A150-5)



Pos	Code	Qty	Description
1	024610120	1	MOTOR FIXING FLANGE A6-->A15
2	024310105	1	BRAKE BODY A6-->A15
3	406017000	1	O-RING 2-160
4	406016700	1	O-RING 2-159 N 674-70 (PARKER)
5	415068600	1	ANTIEXTRUSION RING FLUORTEN T-2307/A
6	415021700	1	SHOULDER RING FOR SHAFT WR 40
7	026310123	1	COUPLING MOTOR SAE B 13T
8	415024500	1	SHOULDER RING FOR HOLE BR 68
9	416204200	2	DISC SPRING 112X57X3
10	022710103	1	BRAKE PISTON A6 --> A15
11	415025900	1	SHOULDER RING BR112 FOR HOLE
12	415067400	1	ANTIEXTRUSION PARBAK 8-161
13	406016100	2	O-RING 2-161 N 741-75 (PARKER)
14	410020500	8	SCREW TCEI M10X85 12.9
15	022410233	1	GEAR DISK HOLDER A6-->A15
16	400030600	1	FREEWHEEL SF 46-21 840 N.M
17	400003900	2	BALL BEARING 16008 TIPO B
18	421106700	1	HOLE SEEGER Ø19
19	415041000	7	DISK N266 82X127X2,5
20	029410109	8	STEEL DISK SP.0,8 A6-->A15
21	023310120	1	CARRIER FLANGE A12-A15
22	419020600	1	LEVEL OIL PLUG 3/8"(METAL)