



Spare parts catalogue

Winch
A120-4

DINAMIC OIL S.p.A.

Via Togliatti, 15
41030 Bomporto (MO)
tel +39.059.812611
fax +39.059.812603
dinamicoil@dinamicoil.it

Spare parts catalogue No.

L83

Logbook code

9212000001

Edition

07/03/2013

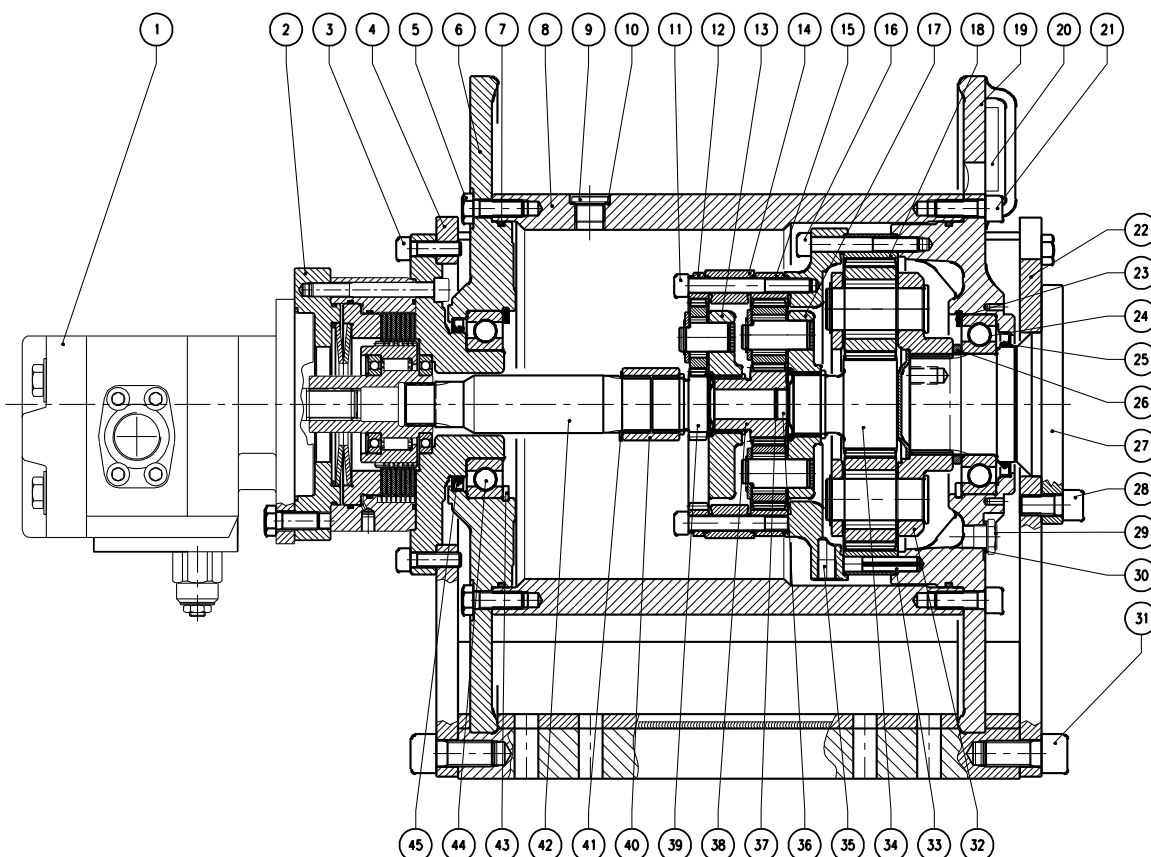
Revision

0



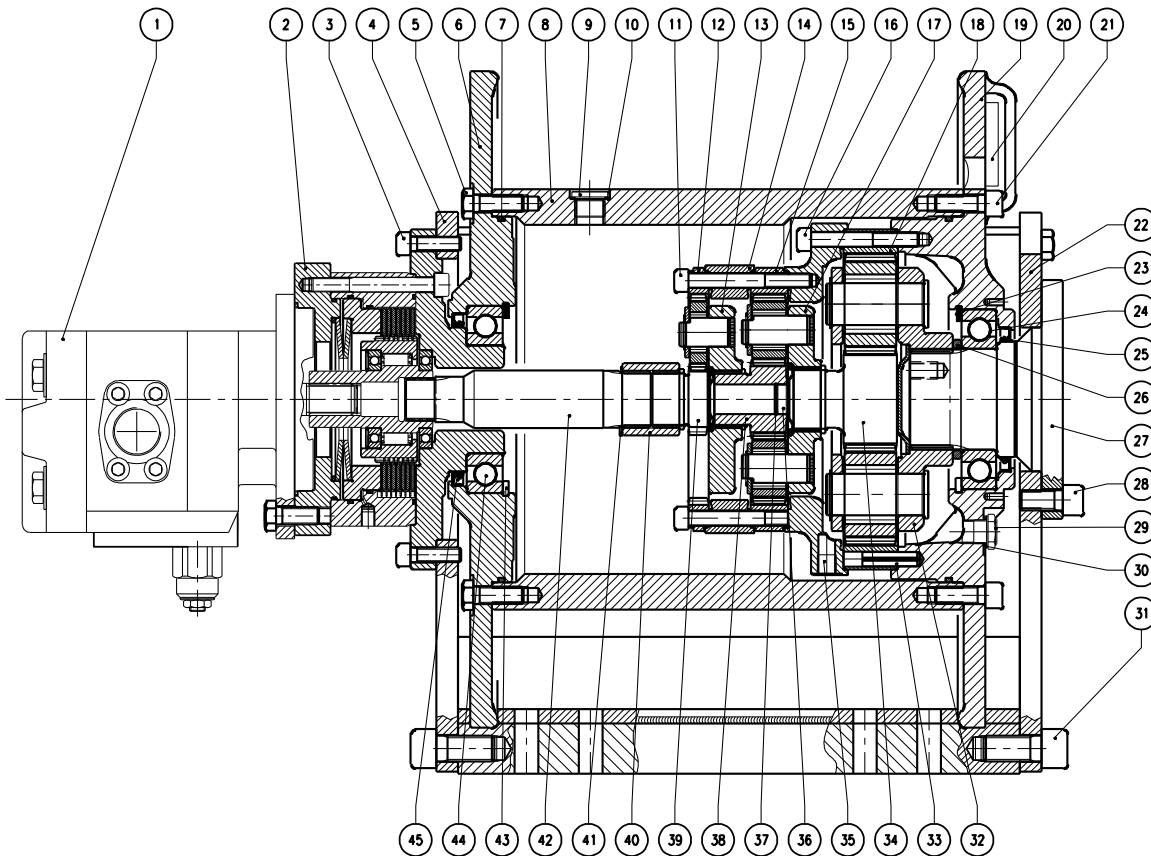
Table index	<i>Winch</i>	A120-4
	<i>Logbook code</i>	921200000I

Page	Table code	Table heading
3	921200000I-1	WINCH A120-4 SX SMOOTH Ø14
4	921200000I-2	WINCH A120-4 SX SMOOTH Ø14
5	029813108	DRAIN FITTING KIT VOC240
6	02981354-1	FITTINGS KIT FOR A A62-81-120-150
7	02981354-2	FITTINGS KIT FOR A A62-81-120-150
8	029810208	BRAKE GROUP A12-A15 SX(SHAFT SAE B)



Pos	Code	Qty	Description
1	425090200	1	MOTOR PERMCO W3100A867ADNE20-14
2	029810208	1	BRAKE GROUP A12-A15 SX(SHAFT SAE B)
3	410401400	8	SCREW TCEI M10X35 12.9 UNI 5931
4	023410171	1	MOTOR SIDE SUPPORT SE38 MA
5	410033400	8	TE SCREW M12X35 10.9 UNI 5739
6	023210131	1	MOTOR SIDE FLANGE
7	406021800	2	O-RING 2-272
8	023010135	1	SMOOTH DRUM WINCH A120
9	419000800	2	CYLINDRICAL PLUG 1/2" GAS PLUG DIN 908
10	423000700	2	SOFT COPPER WASHER 1/2" 21X27X2
11	410020500	8	SCREW TCEI M10X85 12.9
12	02231006	1	RE110 RING GEAR
13	99102600	1	GEAR SUBASSEMBLY RE 110 N 4,26
14	02731028	1	INTERMEDIATE FLANGE
15	02231009	1	RING GEAR RE210/240
16	410408000	12	HEX SOCKET HEAD CAP SCREW M10X75 12.9 UNI 5931
17	99116600	1	GEAR SUBASSEMBLY RE240 3.82
18	2030030600	1	RE500 RING GEAR
19	023210113	1	GEAR FLANGE SE38 MA
20	241020100	1	THIMBLE S30 Ø14-S35 SW4 Ø15
21	410400700	8	HEX SOCKET HEAD CAP SCREW M12X35 12.9
22	023410172	1	GEARBOX SIDE SUPPORT SE38 MA
23	421102700	1	HOLE SEEGER Ø125
24	400001600	1	6214 BALL BEARING
25	415002500	1	SEAL RING 80X100X7/8 BBSL
26	02731468	1	PLANETARY CARRIER SPACER WINCH SE38 MA
27	02371017	1	ANTIROTATION FLANGE TW4
28	410409500	12	HEX SOCKET HEAD CAP SCREW M14X30 12.9 UNI 5931
29	419020600	1	LEVEL OIL PLUG 3/8" (METAL)
30	423000600	1	SOFT WASHER COPPER 3/8" UNI 6953
31	410021000	6	SCREW TCEI M18X40 12.9
32	99160900	1	RE610 1:4 GEAR SUBASSEMBLY
33	434002400	2	ELASTIC PIN SPIROL Ø10X40 UNI6875
34	02611462	1	SOLAR GEAR R1:4 RE610 PROF.B45X41
35	2030022400	1	INTERMEDIATE FLANGE RE300-500 FOR RE110/210/240
36	02741008	1	INSERT Ø20,6X8 BRONZE
37	421105700	1	HOLE SEEGER Ø21
38	02611070	1	INTERMEDIATE SUN GEAR R=1:3.82 EH242/RE242
39	02611022	1	SUN GEAR 2°STAGE R=1:4.26 RE 110 / '98

Pos	Code	Qty	Description
40	263200600	1	SPLINED COUPLING SW4 - S45
41	421000600	1	SHAFT SEEGER Ø40
42	024410131	1	TRANSMISSION SHAFT
43	421103600	1	HOLE SEEGER Ø130
44	400005900	1	BALL BEARING 6215
45	415084600	1	SEAL RING 100X120X7,5 BABS L



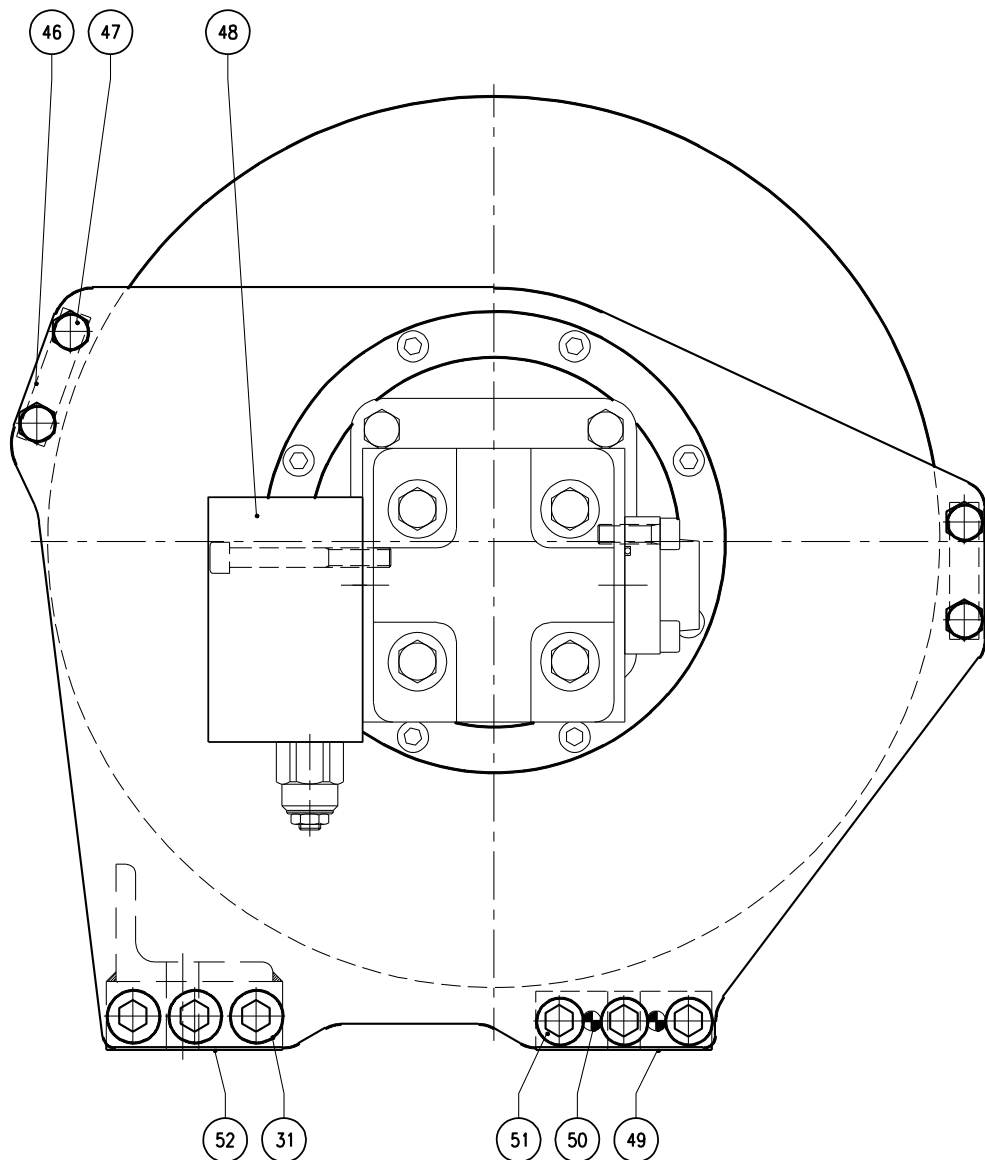
921200000I-2

Winch

A120-4

Logbook code

921200000I



Pos	Code	Qty	Description
31	410021000	6	SCREW TCEI M18X40 12.9
46	02451400	2	CROSS MEMBER SE38 MA
47	410033400	8	TE SCREW M12X35 10.9 UNI 5739
48	438045700	1	VALVE CBGA240 FMRS.SAE3 40B
49	024510146	1	FOWARD FIXING PLATE X WINCH SE38 MA
50	434002900	4	ELASTIC PIN SPIROL Ø10X30 UNI6875
51	410410700	6	SCREW TCEI M16X35 12.9
52	024510147	1	REAR FIXING PLATE X WINCH SE38 MA



029813108

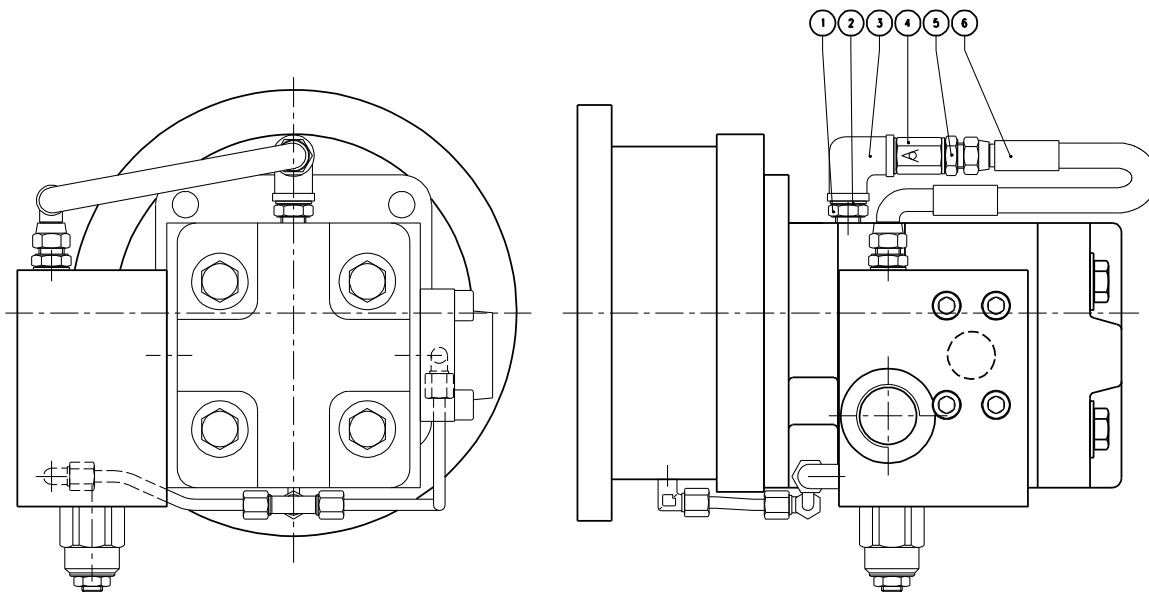
Winch

A120-4

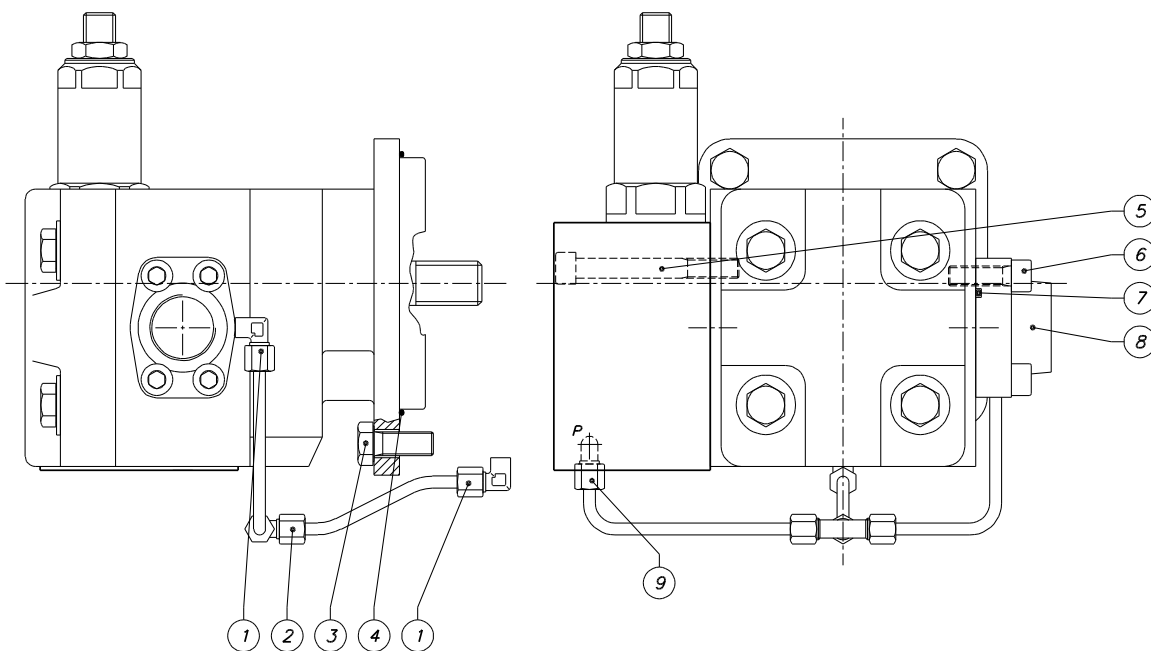
Logbook code

921200000I

Pos	Code	Qty	Description
1	442042500	1	NIPLES 1/4"G - 1/4"NPT
2	423000300	4	SOFT COPPER WASHER 1/4" 13X19X1.5
3	440004800	1	ADAPTER 90° FF 1/4
4	438011100	1	UNIDIRECTIONAL VALVE VU-20-X-A
5	442020300	2	NIPLES 1/4"
6	443000200	1	FLEXIBLE PIPE R1T 1/4"DR-1/4"90°

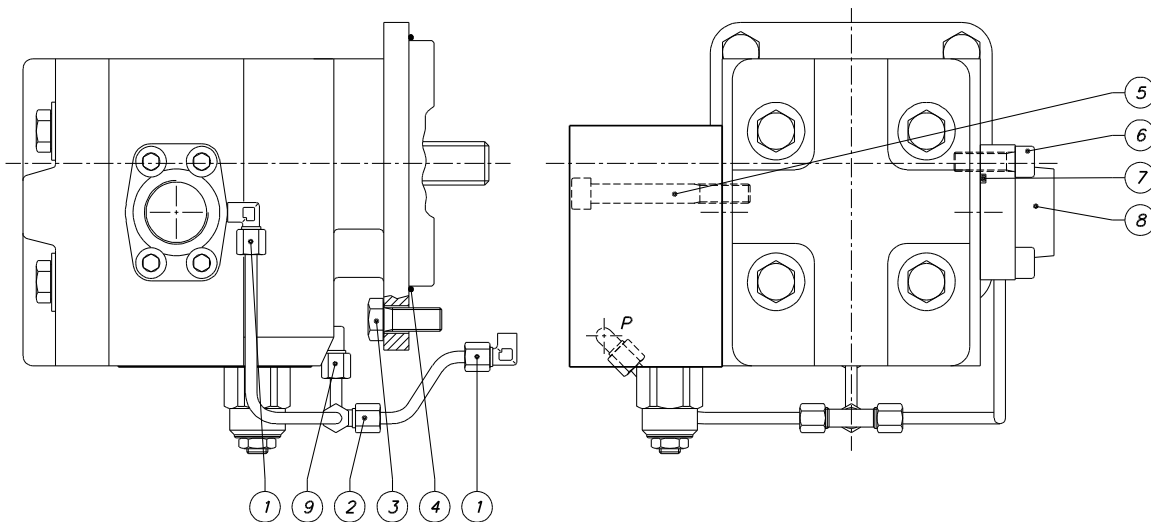


Pos	Code	Qty	Description
1	440000100	2	CONNECTOR 90° 1/8"G CONICAL Ø6 PIPE
2	442041600	1	"T" CONNECTOR FOR PIPE Ø6
3	410203200	4	SCREW TE M12X30 8.8
4	406012600	1	O-RING 2-159
5	410088000	4	SCREW TCEI 3/8"-16 UNC X 3"1/4 12.9
6	410094500	4	SCREW TCEI 3/8"-16 UNC X 1"1/4 8.8
7	406023500	1	O-RING 2-219 NBR 70SH
8	029410110	1	FLANGE U.N.102-B WITH HOLE 1/8"
9	440000200	1	CONICAL CONNECTOR 90° 1/4"G Ø6 PIPE

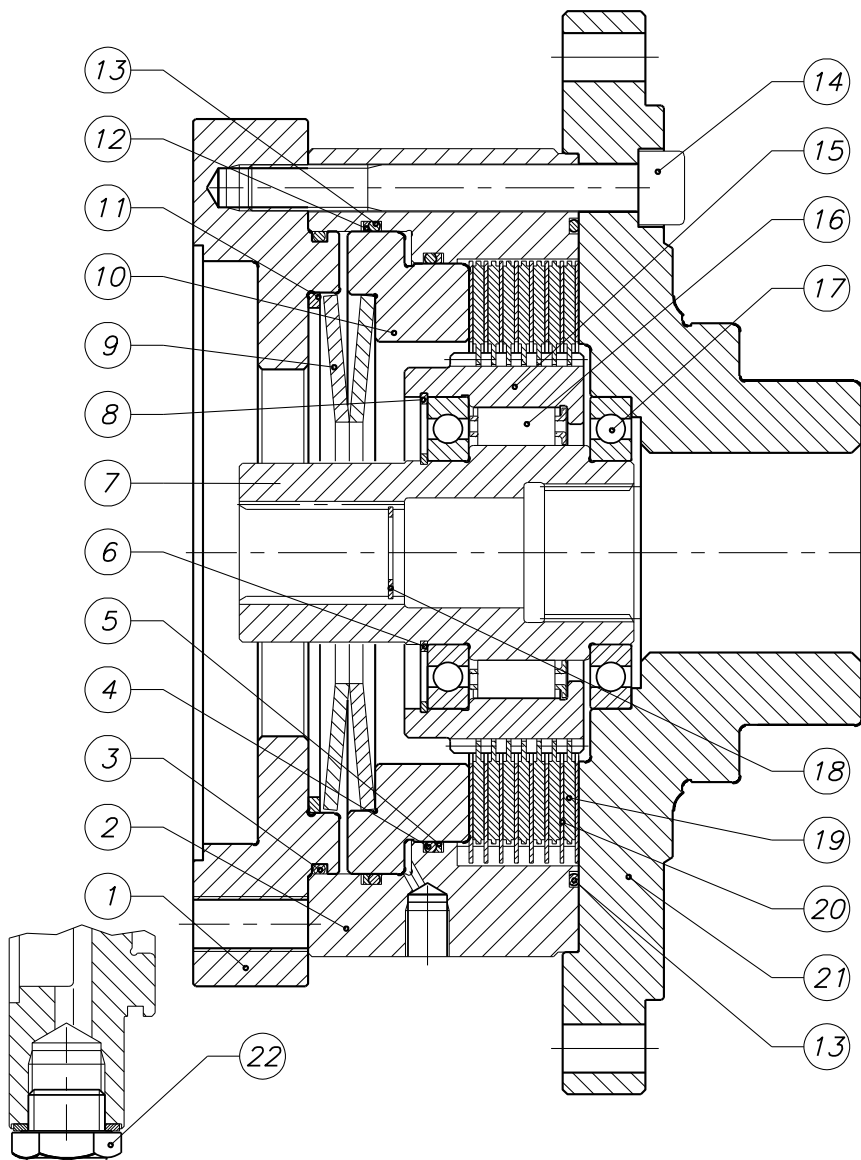


REFERRED TO VALVE COD.438045600
(WINCHES A62-4 / A62-3)

Pos	Code	Qty	Description
1	440000100	2	CONNECTOR 90° 1/8"G CONICAL Ø6 PIPE
2	442041600	1	"T" CONNECTOR FOR PIPE Ø6
3	410203200	4	SCREW TE M12X30 8.8
4	406012600	1	O-RING 2-159
5	410088000	4	SCREW TCEI 3/8"-16 UNC X 3"1/4 12.9
6	410094500	4	SCREW TCEI 3/8"-16 UNC X 1"1/4 8.8
7	406023500	1	O-RING 2-219 NBR 70SH
8	029410110	1	FLANGE U.N.102-B WITH HOLE 1/8"
9	440000200	1	CONICAL CONNECTOR 90° 1/4"G Ø6 PIPE



REFERRED TO VALVE COD.438045700
(WINCHES A81-5 / A81-6 / A120-3 / A120-4 / A150-5)



Pos	Code	Qty	Description
1	024610120	1	MOTOR FIXING FLANGE A6-->A15
2	024310105	1	BRAKE BODY A6-->A15
3	406017000	1	O-RING 2-160
4	406016700	1	O-RING 2-159 N 674-70 (PARKER)
5	415068600	1	ANTIEXTRUSION RING FLUORTEN T-2307/A
6	415021700	1	SHOULDER RING FOR SHAFT WR 40
7	026310123	1	COUPLING MOTOR SAE B 13T
8	415024500	1	SHOULDER RING FOR HOLE BR 68
9	416204200	2	DISC SPRING 112X57X3
10	022710103	1	BRAKE PISTON A6 --> A15
11	415025900	1	SHOULDER RING BR112 FOR HOLE
12	415067400	1	ANTIEXTRUSION PARBAK 8-161
13	406016100	2	O-RING 2-161 N 741-75 (PARKER)
14	410020500	8	SCREW TCEI M10X85 12.9
15	022410233	1	GEAR DISK HOLDER A6-->A15
16	400030600	1	FREEWHEEL SF 46-21 840 N.M
17	400003900	2	BALL BEARING 16008 TIPO B
18	421106700	1	HOLE SEEGER Ø19
19	415041000	7	DISK N266 82X127X2,5
20	029410109	8	STEEL DISK SP.0,8 A6-->A15
21	023310120	1	CARRIER FLANGE A12-A15
22	419020600	1	LEVEL OIL PLUG 3/8"(METAL)